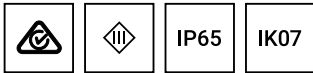


NATURE SOURCE 1 (NAT-20003)



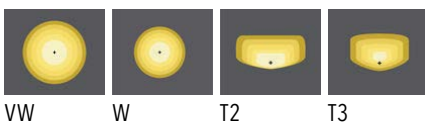
Product description

- 12.5 hours of operation time
(2 Step dimming with motion sensor override)
- 1.5 days of autonomy

Luminaire structure

- Die-cast aluminium end-caps
- Extruded aluminium housing and frame
- Pretreated before powder coating ensuring high corrosion resistance
- Thermal heat dissipation body
- Stainless steel fasteners in grade 304 with zinc flake coating (ZFC)
- Durable silicone rubber gasket
- Clear glass diffuser
- Integral control gear
- Solar module consist of monocrystalline high efficiency cells 5x15W
- Lithium Iron Phosphate (LiFePO4) battery 2x16.5Ah 12 VDC
- Solar charger controller system 12V 10A
- Luminaires operation time depends on the weather conditions
- Full automatic electronic protection function against short circuit, overcurrent, overload, overvoltage and high temperature
- Standard: Off-grid, 100% solar, not connected to the utility grid. Utility grid connection is available upon request
- Motion sensor integrated
- Different dimming options are available
- STD: 2 Step dimming with motion sensor override (3 hrs: 60% without movement, 100% for 1min when the motion sensor activated. After 3 hrs: 30% without movement, 60% for 1min when the motion sensor activated)
- ND: Dusk to Dawn, CT: Custom examples are 5 Step dimming, Custom hrs, Custom dimming levels (Step length and min. dim level is 10%)
- Maximum 12.5 hrs of operation time (2 Step dimming with motion sensor override)
- Remote solar charge controller can be ordered as an accessory
- Autonomy and Operation time calculations are done with the following information: Peak Sun-Hour (PSH) is 3 hrs. Hours of operation are 12 hrs per day. Detection of movement is 5 times per hr.
- Autonomy and Operation time calculations are only indicative and will depend on several variable factors. Please contact Ligman Australia to determine the specific calculations for your project.

Light symbol



Product colour



Special finishes upon request



Technical information

Light source	28 LED
Light source type	LED
Dimming type	Solar Custom, Dusk to Dawn, 2 Step dimming with motion sensor override
Material	Aluminium
Weight	25.5 kg
Operating temperature	-20°C to 40°C

Luminaire	
Power	30 W
Lumen	3716 - 3977 lm
Efficacy	124 - 133 lm/W
CCT / CRI	3000K CRI80, 4000K CRI80
Driver option	Integral control gear
Driver	Constant voltage (CV)
Input voltage	Solar

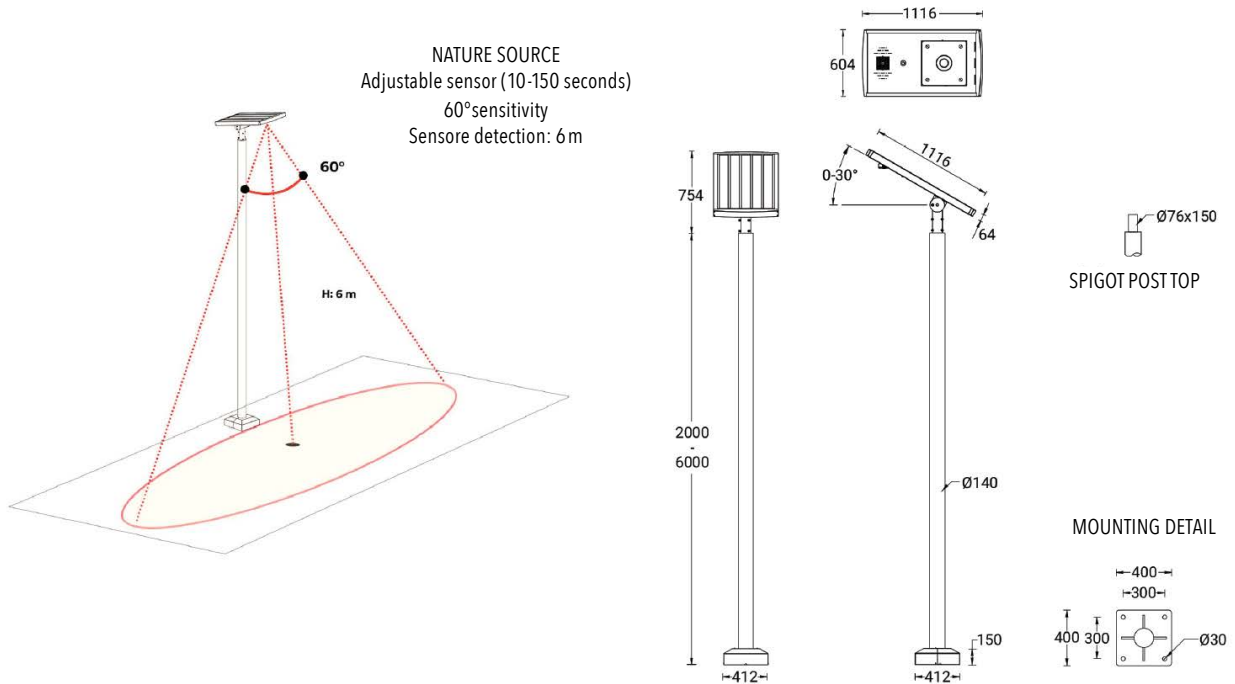
Optic	VW [114°], W [86°] T2 [28°x148°], T3 [37°x151°]
Bug	B1-U0-G1, B2-U0-G1
ULR	0%
CIE flux code n°3	96, 94, 97, 98
MacAdam Ellipse	3 SDCM
Lifetime L90B10 (hrs)	> 90,000
Lifetime L80B10 (hrs)	> 90,000
Lifetime L80B50 (hrs)	> 90,000

NATURE SOURCE 1 (NAT-20003)

Product variants

HOW TO SPECIFY

LIGA	-	NAT-20003	-	30	-	T2	-	8030	-	ND	-	01
MODEL	OUTPUT	DISTRIBUTION	CRI/CCT	DIMMING	COLOUR FINISH							
NAT-20003	30W	VW	8030	CT	01 BLACK							
		W	8040	ND	02 DARK GREY							
		T2		STD	03 WHITE							
		T3			05 MATT SILVER							
					06 BRONZE							
					S - SPECIAL FINISH							



Accessories



Remote solar charge controller
LIGA-A92291



2 m - Cylindrical, straight galvanised steel pole for NATURE SOURCE
LIGA-SPD120140-NAT



3 m - Cylindrical, straight galvanised steel pole for NATURE SOURCE
LIGA-SPD130140-NAT



4 m - Cylindrical, straight galvanised steel pole for NATURE SOURCE
LIGA-SPD140140-NAT



5 m - Cylindrical, straight galvanised steel pole for NATURE SOURCE
LIGA-SPD150140-NAT



6 m - Cylindrical, straight galvanised steel pole for NATURE SOURCE
LIGA-SPD160140-NAT