

LIGHTSOFT 15 (LH-10671)



Product description

Ø186 - 1000 mm - Round - 27° side light - IK10

Luminaire structure

- Die-cast aluminium housing
- Extruded aluminium column
- Pre-treated before powder coating ensuring high corrosion resistance
- Single cable entry
- One IP68 connector supplied with 0.2 m of 3x1.0 sqmm outdoor cable
- Stainless steel fasteners in grade 304 with zinc flake coating (ZFC)
- Durable silicone rubber gasket
- High-efficiency polycarbonate lens
- Anodised, high-purity aluminium reflector
- Integral control gear

Light symbol

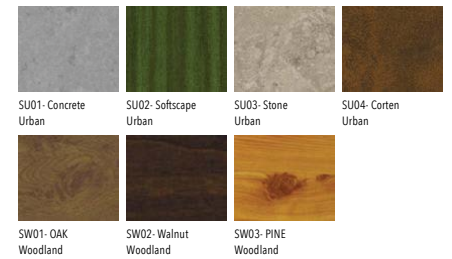


G

Product colour



Special finishes upon request



Technical information

Light source (Side)	12 LED (Top) & 7 LED
Light source type	LED
Dimming type	DALI, On/Off
Material	Aluminium
Weight	9 kg
Operating temperature	-20°C to 40°C

Luminaire	
Power	27W (Top) 12W (Side)
Lumen	2187 - 2268 lm
Efficacy	56 -58 lm/W
CCT / CRI	3000K CRI80, 4000K CRI80
Drive current	700 mA (Top) 500 mA (Side)
Driver option	Integral control gear
Driver	Constant current (CC)
Input voltage	220-240 V 50/60 Hz

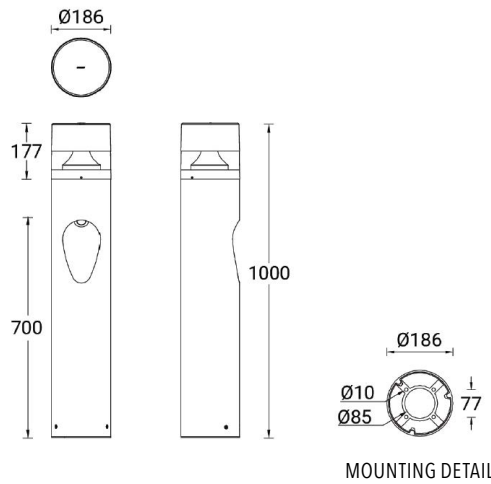
Optic	G [360°]
MacAdam Ellipse	3 SDCM
Lifetime L90B10 (hrs)	120,000
Lifetime L80B10 (hrs)	120,000
Lifetime L80B50 (hrs)	120,000

LIGHTSOFT 15 (LH-10671)

Product variants

HOW TO SPECIFY

MODEL	OUTPUT	DISTRIBUTION	CRI/CCT	DIMMING	COLOUR FINISH
LH-10671	700 27W	G	8030	ND	01 BLACK
	500 12W		8040	DALI	02 DARK GREY
					03 WHITE
					05 MATT SILVER
					06 BRONZE
					S - SPECIAL FINISH



Accessories



Anchor Bolt
LIGA - A10391



Light Shield 180°
LIGA - A10731



Light Shield 90°
LIGA - A10831