

**TANGO 29** (TA-31863)



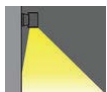
**Product description**

Ø186 - 274 mm - Down - Round

**Luminaire structure**

- Die-cast aluminium housing and frame
- Pre-treated before powder coating ensuring high corrosion resistance
- Single cable entry
- Stainless steel fasteners in grade 304 with zinc flake coating (ZFC)
- Durable silicone rubber gasket
- Clear toughened glass
- High-efficiency optical reflector
- Integral control gear
- Optional surface mounting box for easy wiring or conduit connection when wiring from behind is not possible

**Light symbol**



AS

**Product colour**



01- Black (RAL 9011)    02- Dark Grey (RAL 7043)    03- White (RAL 9003)    05- Matt Silver (RAL 9006)



06- Bronze (RAL 6014)

**Special finishes upon request**



SU01- Concrete Urban    SU02- Softscape Urban    SU03- Stone Urban    SU04- Corten Urban



SW01- OAK Woodland    SW02- Walnut Woodland    SW03- PINE Woodland

**Technical information**

|                       |               |
|-----------------------|---------------|
| Light source          | 1 COB         |
| Light source type     | COB           |
| Dimming type          | DALI, On/Off  |
| Material              | Aluminium     |
| Weight                | 4.4 kg        |
| Operating temperature | -20°C to 40°C |

|                  |                          |
|------------------|--------------------------|
| <b>Luminaire</b> |                          |
| Power            | 42 W                     |
| Lumen            | 3377 - 3418 lm           |
| Efficacy         | 80 - 81 lm/W             |
| CCT / CRI        | 3000K CRI80, 4000K CRI80 |
| Drive current    | 1050 mA                  |
| Driver option    | Integral control gear    |
| Driver           | Constant current (CC)    |
| Input voltage    | 220-240 V 50/60 Hz       |

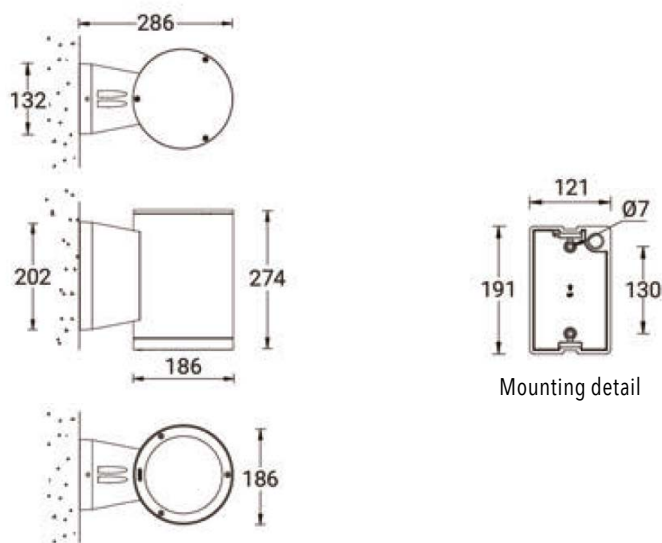
|                       |              |
|-----------------------|--------------|
| Optic                 | AS [46°x56°] |
| Bug                   | B2-U0-G0     |
| ULR                   | 0%           |
| ULOR                  | 0%           |
| CIE flux code n°3     | 100          |
| MacAdam Ellipse       | 3 SDCM       |
| Lifetime L90B10 (hrs) | 55,000       |

TANGO 29 (TA-31863)

Product variants

HOW TO SPECIFY

| LIGA     | -        | TA-31863     | -       | 1050    | -                  | AS | - | 8030 | - | ND | - | 01 |
|----------|----------|--------------|---------|---------|--------------------|----|---|------|---|----|---|----|
| MODEL    | OUTPUT   | DISTRIBUTION | CRI/CCT | DIMMING | COLOUR FINISH      |    |   |      |   |    |   |    |
| TA-31863 | 1050 42W | AS           | 8030    | ND      | 01 BLACK           |    |   |      |   |    |   |    |
|          |          |              | 8040    | DALI    | 02 DARK GREY       |    |   |      |   |    |   |    |
|          |          |              |         |         | 03 WHITE           |    |   |      |   |    |   |    |
|          |          |              |         |         | 05 MATT SILVER     |    |   |      |   |    |   |    |
|          |          |              |         |         | 06 BRONZE          |    |   |      |   |    |   |    |
|          |          |              |         |         | S - SPECIAL FINISH |    |   |      |   |    |   |    |



Accessories



Surface mounting box for easy cabling (TANGO 29)  
LIGA-SCE-TANGO-29