

ODESSA 2 (OD-50011)



Product description

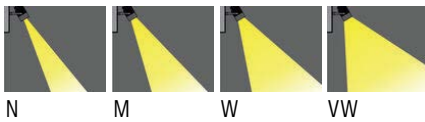
Medium



Luminaire structure

- Die-cast aluminium housing
- Pre-treated before powder coating ensuring high corrosion resistance
- Single cable entry
- One IP68 connector supplied with 0.2 m of 3x1.0 sqmm outdoor cable for OD-50011
- Stainless steel fasteners in grade 304 with zinc flake coating (ZFC)
- Durable silicone rubber gasket
- High-efficiency optical reflector
- Clear toughened glass
- Integral control gear
- Arm mounting installation

Light symbol



Product colour



Special finishes upon request



Technical information

Light source	1 COB
Light source type	COB
Dimming type	DALI, On/Off
Material	Aluminium
Weight	2.3 kg
Operating temperature	-20°C to 40°C

Luminaire	
Power	35 W
Lumen	2962 - 3545 lm
Efficacy	85 - 101 lm/W
CCT / CRI	3000K CRI80, 4000K CRI80
Drive current	900 mA
Driver option	Integral control gear
Driver	Constant current (CC)
Input voltage	220-240 V 50/60 Hz

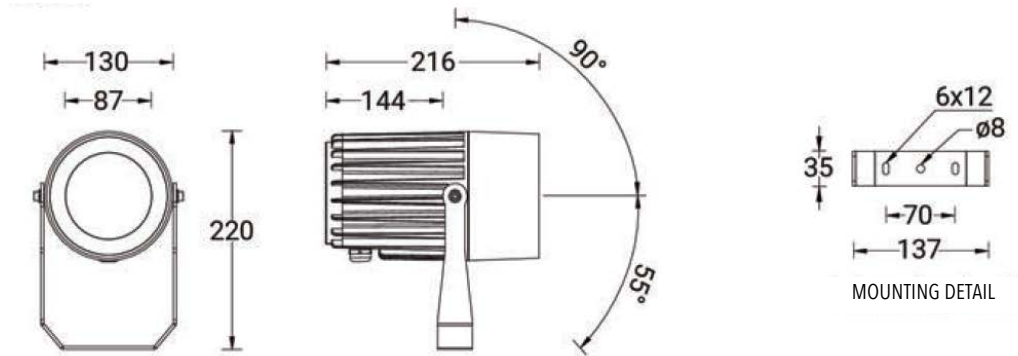
Optic	N [15°], M [24°], W [47°] VW [66°]
Bug	B3-U0-G0, B2-U0-G0
ULR	0%
ULOR	0%
CIE flux code n°3	100, 99
MacAdam Ellipse 5	3 SDCM
Lifetime L90B10 (hrs)	55,000

ODESSA 2 (OD-50011)

Product variants

HOW TO SPECIFY

LIGA	-	OD-50011	-	900	-	M	-	8030	-	ND	-	01
MODEL	OUTPUT	DISTRIBUTION	CRI/CCT	DIMMING	COLOUR FINISH							
OD-50011	900 35W	N	8030	ND	01 BLACK							
		M	8040	DALI	02 DARK GREY							
		W			03 WHITE							
		WW			05 MATT SILVER							
					06 BRONZE							
					S - SPECIAL FINISH							



Accessories



Anti-glare louvre
LIGA-A80231



Anti-glare visor
LIGA-A80131



Linear spread lens
LIGA-A80114



Pole clamp for ODESSA 1, 2
LIGA-A22581