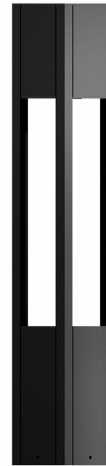


VANCOUVER 4 (VA-10011)



**Product description**

160x160 mm - 1000 mm - No decorative pattern



**Luminaire structure**

- Die-cast aluminium housing and frame
- Extruded aluminium column
- Pre-treated before powder coating ensuring high corrosion resistance
- Single cable entry
- One IP68 connector supplied with 0.2 m of 3x1.0 sqmm outdoor cable
- Stainless steel fasteners in grade 304 with zinc flake coating (ZFC)
- Durable silicone rubber gasket
- High-efficiency optical reflector
- Clear toughened glass
- Integral control gear

**Light symbol**

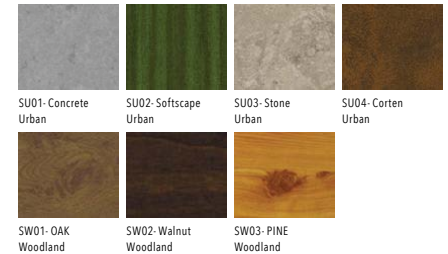


G

**Product colour**



**Special finishes upon request**



**Technical information**

Light source	1 COB
Light source type	COB
Dimming type	DALI, On/Off
Material	Aluminium
Weight	8.2 kg
Operating temperature	-20°C to 40°C

<b>Luminaire</b>	
Power	14 W
Lumen	1066 - 1122 lm
Efficacy	76 - 80 lm/W
CCT / CRI	3000K CRI80, 4000K CRI80
Drive current	350 mA
Driver option	Integral control gear
Driver	Constant current (CC)
Input voltage	220-240 V 50/60 Hz

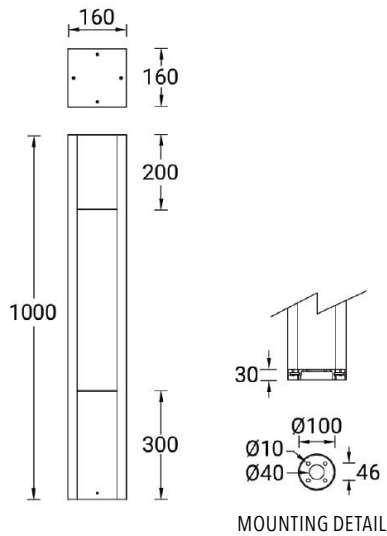
Optic	G [67°]
Bug	B1-U1-G0
ULR	0%
ULOR	0%
CIE flux code n°3	100
MacAdam Ellipse	3 SDCM
Lifetime L90B10 (hrs)	61,000

**VANCOUVER 4 (VA-10011)**

Product variants

HOW TO SPECIFY

MODEL	OUTPUT	DISTRIBUTION	CRI/CCT	DIMMING	COLOUR FINISH
VA-10011	350 14W	G	8030	ND	01 BLACK
			8040	DALI	02 DARK GREY
					03 WHITE
					05 MATT SILVER
					06 BRONZE
					S - SPECIAL FINISH



Accessories



Anchor Bolt  
LIGA - A12191