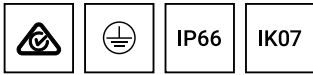


HAMILTON 3 (HAM-20021)



Product description

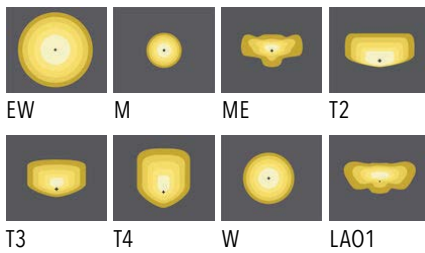
1 side



Luminaire structure

- Die-cast aluminium housing
- Pre-treated before powder coating ensuring high corrosion resistance
- One IP68 connector supplied with 2.2 m of 3x1.0 sqmm outdoor cable for HAM-20021
- Stainless steel fasteners in grade 304 with zinc flake coating (ZFC)
- Durable silicone rubber gasket
- Clear toughened glass
- Integral control gear
- Surge protection 10kV

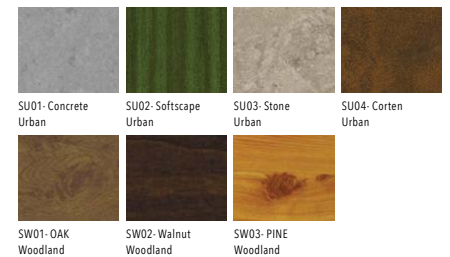
Light symbol



Product colour



Special finishes upon request



Technical information

Light source	24 LED
Light source type	LED
Dimming type	DALI, On/Off
Material	Aluminium
Weight	14.06 kg
Operating temperature	-20°C to 40°C

Luminaire	
Power	27 & 53 W
Lumen	3063 - 7027 lm
Efficacy	116 - 133 lm/W
CCT / CRI	3000K CRI80, 4000K CRI80
Drive current	350, 700 mA
Driver option	Integral control gear
Driver	Constant current (CC)
Input voltage	220-240 V 50/60 Hz

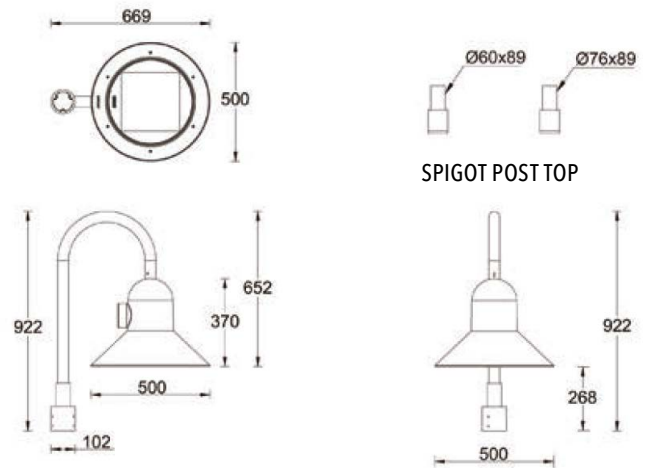
Optic	EW [110°], M [30°], ME [138°x60°], T2 [137°x54°], T3 [120°x94°], T4 [103°x70°], W [57°], LAO1 [151°x65°]
Bug	B2-U0-G0, B3-U0-G1, B1-U0-G1, B2-U0-G2, B3-U0-G0
ULR	0%
ULOR	0%
CIE flux code n°3	99, 97, 98
MacAdam Ellipse	3 SDCM
Lifetime L90B10 (hrs)	90,000
Lifetime L80B10 (hrs)	90,000
Lifetime L80B50 (hrs)	90,000

HAMILTON 3 (HAM-20021)

Product variants

HOW TO SPECIFY

MODEL	OUTPUT	DISTRIBUTION	CRI/CCT	DIMMING	COLOUR FINISH
HAM-20021	350 27W	EW	8030	ND	01 BLACK
	700 53W	M	8040	DALI	02 DARK GREY
		ME			03 WHITE
		T2			05 MATT SILVER
		T3			06 BRONZE
		T4			S - SPECIAL FINISH
		W			
		LA01			



Maximum pathway spacing in metres

LUMINAIRE	AS/NZS 1158.3.1:2020	PATHWAY WIDTH			
		2.0 m		3.0 m	
		MH 4.0m	MH 5.0m	MH 4.0m	MH 5.0m
	PP1 LIGHT CAT	17.4	21.4	17.3	21.3
	PP2 LIGHT CAT	21.2	26.0	21.2	25.9
LIGA-HAM-20021-700-LA01-8030	PP3 LIGHT CAT	25.8	32.3	25.7	32.2
	PP4 LIGHT CAT	27.9	35.8	27.8	35.8
	PP5 LIGHT CAT	33.5	39.9	33.4	39.9

MAINTENANCE FACTOR - 0.8. OFFSET FROM PATH EDGE - 0.5m. Spacing table to be used as a guide. Figures are based on parameters set out in AS/NZS 1158.3.1:2020 - Table 3.4

Accessories



Integrated Glare Technology
LIGA-IGT