

MARVIK 2 (MV-30012)



Product description

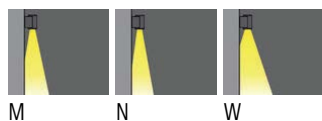
Ø100 - 220 mm - Down



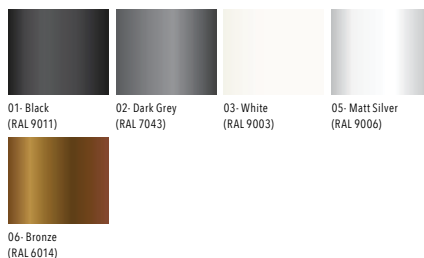
Luminaire structure

- Die-cast aluminium housing and frame
- Pre-treated before powder coating ensuring high corrosion resistance
- Single cable entry
- Stainless steel fasteners in grade 304 with zinc flake coating (ZFC)
- Durable silicone rubber gasket
- High-efficiency optical reflector
- Clear toughened glass
- Integral control gear
- Optional surface mounting box for easy wiring or conduit connection when wiring from behind is not possible

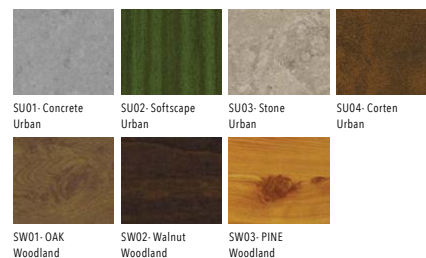
Light symbol



Product colour



Special finishes upon request



Technical information

Light source	1 COB
Light source type	COB
Dimming type	DALI, On/Off
Material	Aluminium
Weight	2.6 kg
Operating temperature	-20°C to 40°C

Luminaire	
Power	28 W
Lumen	2860 - 3169 lm
Efficacy	102 - 113 lm/W
CCT / CRI	3000K CRI80, 4000K CRI80
Drive current	700 mA
Driver option	Integral control gear
Driver	Constant current (CC)
Input voltage	220-240 V 50/60 Hz

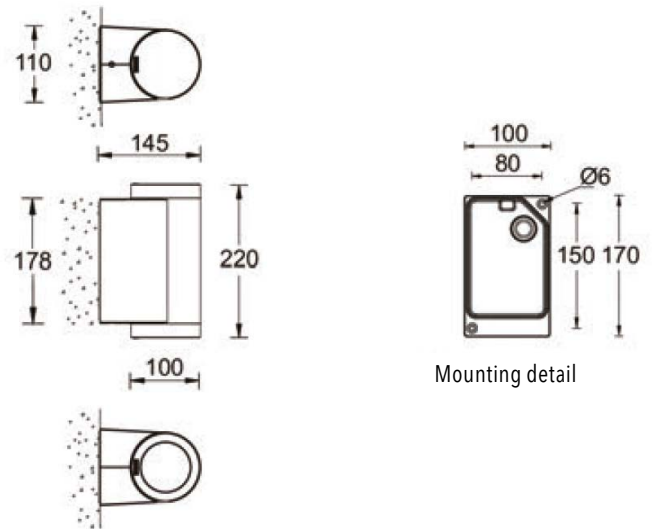
Optic	M [23°], N [13°], W [43°]
Bug	B3-U0-G0
ULR	0%
ULOR	0%
CIE flux code n°3	100
MacAdam Ellipse	3 SDCM
Lifetime L90B10 (hrs)	55,000

MARVIK 2 (MV-30012)

Product variants

HOW TO SPECIFY

LIGA	-	MV-30012	-	700	-	W	-	8030	-	ND	-	01
MODEL	OUTPUT	DISTRIBUTION	CRI/CCT	DIMMING	COLOUR FINISH							
MV-30012	700 28W	M	8030	ND	01 BLACK							
		N	8040	DALI	02 DARK GREY							
		W			03 WHITE							
					05 MATT SILVER							
					06 BRONZE							
					S- SPECIAL FINISH							



Accessories



Surface mounting box for easy cabling (MARVIK 2)
LIGA-SCE-MARVIK-2