

JET 41 (JE-80051)



Product description

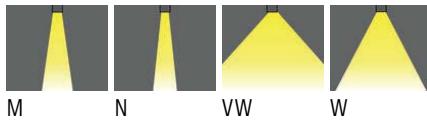
Ø160 - 296 mm - Round



Luminaire structure

- Die-cast aluminium housing
- Pre-treated before powder coating ensuring high corrosion resistance
- Single cable entry
- Stainless steel fasteners in grade 304 with zinc flake coating (ZFC)
- Durable silicone rubber gasket
- Clear toughened glass
- Integral control gear
- Optional surface mounting box for easy wiring or conduit connection when wiring from behind is not possible

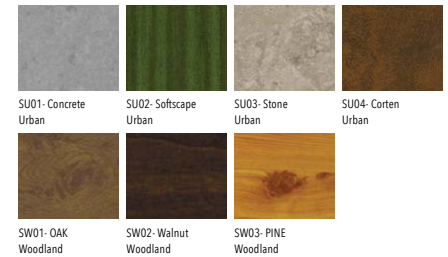
Light symbol



Product colour



Special finishes upon request



Technical information

Light source	1 COB
Light source type	COB
Dimming type	DALI, On/Off
Material	Aluminium
Weight	3.1 kg
Operating temperature	-20°C to 40°C

Luminaire	
Power	18 W, 27 W, 35 W
Lumen	1730 - 4094 lm
Efficacy	99 - 117 lm/W
CCT / CRI	3000K CRI80, 4000K CRI80
Drive current	450 mA, 675 mA, 900 mA
Driver option	Integral control gear
Driver	Constant current (CC)
Input voltage	220-240 V 50/60 Hz

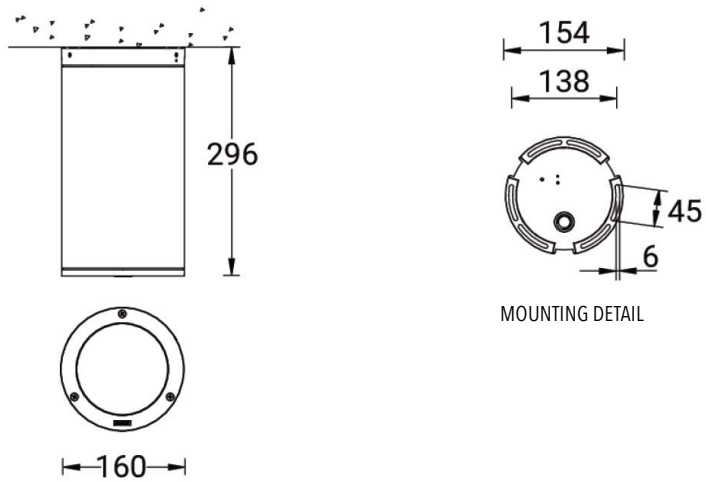
Optic	M [26°], N [16°] VW [59°], W [42°]
Bug	B3-U0-G0, B2-U0-G0
ULR	0%
ULOR	0%
CIE flux code n°3	100
MacAdam Ellipse	3 SDCM
Lifetime L90B10 (hrs)	50,700
Lifetime L80B10 (hrs)	63,500
Lifetime L80B50 (hrs)	63,500

JET 41 (JE-80051)

Product variants

HOW TO SPECIFY

LIGA	JE-80051	450	VW	8030	ND	01
	MODEL	OUTPUT	DISTRIBUTION	CRI/CCT	DIMMING	COLOUR FINISH
	JE-80051	450 18W	M	8030	ND	01 BLACK
		675 27W	N	8040	DALI	02 DARK GREY
		900 35W	VW			03 WHITE
			W			05 MATT SILVER
						06 BRONZE
						S - SPECIAL FINISH



Accessories



Mounting ring for semi-recessed installation (JET 41)
LIGA-A80181



Surface mounting box for easy cabling (JET 41)
LIGA-SCE-JET-41