

ODESSA 12 (OD-50141)



Product description

Large



Luminaire structure

- Die-cast aluminium housing
- Pre-treated before powder coating ensuring high corrosion resistance
- Single cable entry, through wiring upon request
- One IP68 connector supplied with 0.2 m of 3x1.0 sqmm outdoor cable for OD-50141
- Stainless steel fasteners in grade 304 with zinc flake coating (ZFC)
- Durable silicone rubber gasket
- High-efficiency optical reflector
- Clear toughened glass
- Integral control gear
- Arm mounting installation

Light symbol

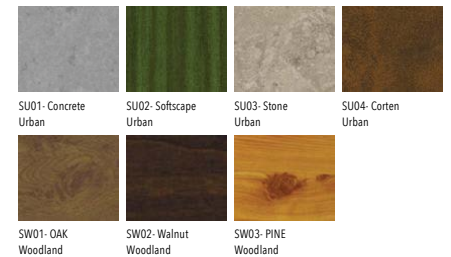


VN

Product colour



Special finishes upon request



Technical information

Light source	7 LED
Light source type	LED
Dimming type	DALI, On/Off
Material	Aluminium
Weight	5.0 kg
Operating temperature	-20°C to 40°C

Luminaire	
Power	60 W
Lumen	5562 - 5854 lm
Efficacy	93 - 98 lm/W
CCT / CRI	3000K CRI80, 4000K CRI80
Drive current	700 mA
Driver option	Integral control gear
Driver	Constant current (CC)
Input voltage	220-240 V 50/60 Hz

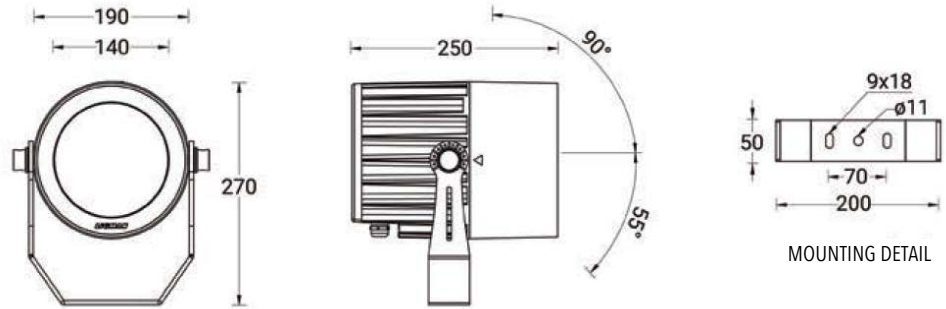
Optic	VN [8°]
MacAdam Ellipse	3 SDCM
Lifetime L90B10 (hrs)	109,000
Lifetime L80B10 (hrs)	109,000
Lifetime L80B50 (hrs)	109,000

ODESSA 12 (OD-50141)

Product variants

HOW TO SPECIFY

LIGA	-	OD-50141	-	700	-	VN	-	8030	-	ND	-	01
		MODEL		OUTPUT		DISTRIBUTION		CRI/CCT		DIMMING		COLOUR FINISH
		OD-50141		700 60W		VN		8030		ND		01 BLACK
								8040		DALI		02 DARK GREY
												03 WHITE
												05 MATT SILVER
												06 BRONZE
												S - SPECIAL FINISH



Accessories



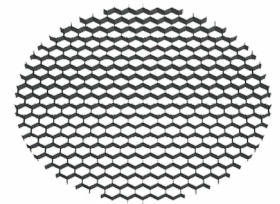
Anti-glare visor
LIGA-A54431



Anti-glare louvre
LIGA-A54631



Linear spread lens
LIGA-A51814



Honeycomb louvre
LIGA-A54121