

VEKTER 15 (VK-90021)



Product description

4 sides

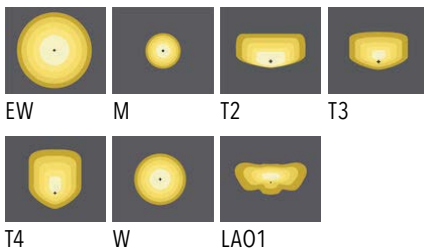
Luminaire structure

- Die-cast aluminium housing
- Pre-treated before powder coating ensuring high corrosion resistance
- One cable gland supplied with 0.5 m of 3x1.0 sqmm outdoor cable for VK-90021

- Stainless steel fasteners in grade 304 with zinc flake coating (ZFC)
- Durable silicone rubber gasket
- Clear toughened glass
- High-efficiency PMMA lens

- Integral control gear
- Maximum wind load resistance is 140 km/h
- Surge protection 10kV

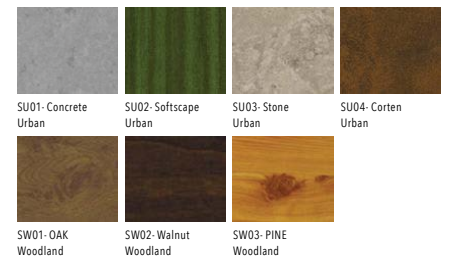
Light symbol



Product colour



Special finishes upon request



Technical information

Light source	4 X 12 LED
Light source type	LED
Dimming type	DALI, On/Off
Material	Aluminium
Weight	19.7 kg
Operating temperature	-20°C to 40°C

Luminaire	
Power	80 W
Lumen	8592 - 9892 lm
Efficacy	107 - 124 lm/W
CCT / CRI	3000K CRI80, 4000K CRI80
Drive current	500 mA
Driver option	Integral control gear
Driver	Constant current (CC)
Input voltage	220-240 V 50/60 Hz

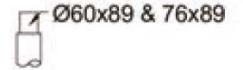
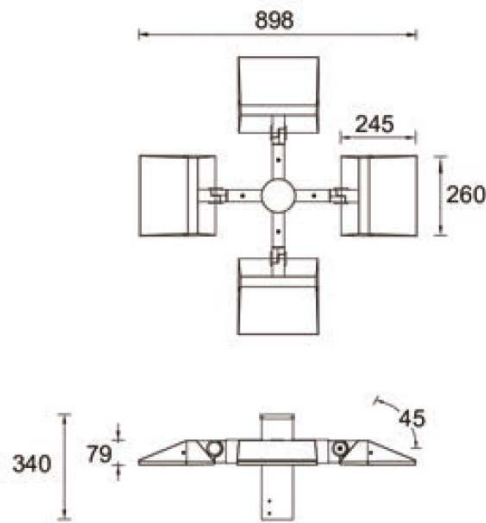
Optic	EW [117°], M [32°], T2 [140°x52°], T3 [140°x72°], T4 [97°x82°], W [52°], LA01 [151°x65°]
Bug	B1-U0-G0, B2-U0-G0, B1-U0-G1
ULOR	0%
CIE flux code n°3	99, 97
MacAdam Ellipse	3 SDCM
Lifetime L90B10 (hrs)	90,000
Lifetime L80B10 (hrs)	90,000
Lifetime L80B50 (hrs)	90,000

VEKTER 15 (VK-90021)

Product variants

HOW TO SPECIFY

LIGA - VK-90021 - 500 - T2 - T4 - T3 - T4 - 8030 - ND - 01									
MODEL	OUTPUT	DISTRIBUTION				CRI/CCT	DIMMING	COLOUR FINISH	
		OPT1	OPT2	OPT3	OPT4				
VK-90021	500 80W	EW	EW	EW	EW	8030	ND	01 BLACK	
		M	M	M	M	8040	DALI	02 DARK GREY	
		T2	T2	T2	T2			03 WHITE	
		T3	T3	T3	T3			05 MATT SILVER	
		T4	T4	T4	T4			06 BRONZE	
		W	W	W	W			S - SPECIAL FINISH	
		LA01	LA01	LA01	LA01				



Spigot post top