

VEKTER 6 (VK-90012)



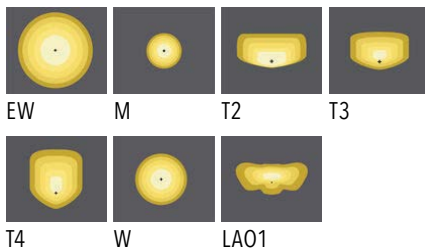
Product description

2 sides

Luminaire structure

- Die-cast aluminium housing
- Pre-treated before powder coating ensuring high corrosion resistance
- One cable gland supplied with 0.5 m of 3x1.0 sqmm outdoor cable for VK-90012
- Stainless steel fasteners in grade 304 with zinc flake coating (ZFC)
- Durable silicone rubber gasket
- Clear toughened glass
- High-efficiency PMMA lens
- Integral control gear
- Maximum wind load resistance is 140 km/h
- Surge protection 10kV

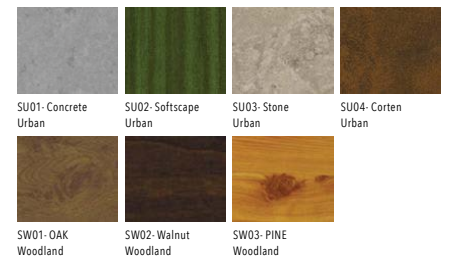
Light symbol



Product colour



Special finishes upon request



Technical information

Light source	2 X 24 LED
Light source type	LED
Dimming type	On/Off
Material	Aluminium
Weight	13.2 kg
Operating temperature	-20°C to 40°C

Luminaire	
Power	54 & 108 W
Lumen	6104 - 13908 lm
Efficacy	113 - 129 lm/W
CCT / CRI	3000K CRI80, 4000K CRI80
Drive current	350 & 700 mA
Driver option	Integral control gear
Driver	Constant current (CC)
Input voltage	220-240 V 50/60 Hz

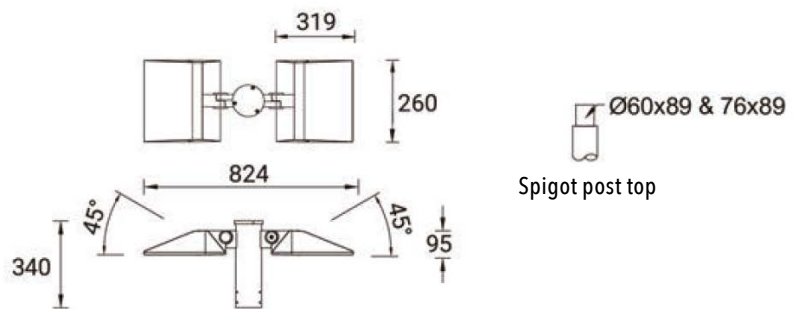
Optic	EW [117°], M [32°], T2 [140°x52°], T3 [140°x72°], T4 [97°x82°], W [52°], LA01 [151°x65°]
Bug	B2-U0-G0, B3-U0-G1, B1-U0-G1, B2-U0-G2, B3-U0-G0
ULOR	0%
CIE flux code n°3	99, 98, 97
MacAdam Ellipse	3 SDCM
Lifetime L90B10 (hrs)	90,000
Lifetime L80B10 (hrs)	90,000
Lifetime L80B50 (hrs)	90,000

VEKTER 6 (VK-90012)

Product variants

HOW TO SPECIFY

LIGA - VK-90012 - 700 - T2 - T4 - 8030 - ND - 01						
MODEL	OUTPUT	DISTRIBUTION		CRI/CCT	DIMMING	COLOUR FINISH
		OPT1	OPT2			
VK-90012	350 54W	EW	EW	8030	ND	01 BLACK
	700 108W	M	M	8040		02 DARK GREY
		T2	T2	03 WHITE		
		T3	T3	05 MATT SILVER		
		T4	T4	06 BRONZE		
		W	W	S - SPECIAL FINISH		
		LA01	LA01			



Accessories



Integrated Glare Technology
LIGA-IGT