

TANGO 29 (TA-31861)



Product description

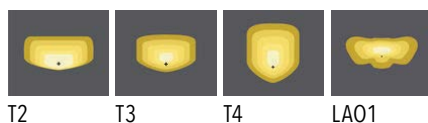
Ø186 - 274 mm - Down - Round



Luminaire structure

- Die-cast aluminium housing and frame
- Pre-treated before powder coating ensuring high corrosion resistance
- Single cable entry
- Stainless steel fasteners in grade 304 with zinc flake coating (ZFC)
- Durable silicone rubber gasket
- Clear toughened glass
- High-efficiency optical reflector
- Integral control gear
- Optional surface mounting box for easy wiring or conduit connection when wiring from behind is not possible

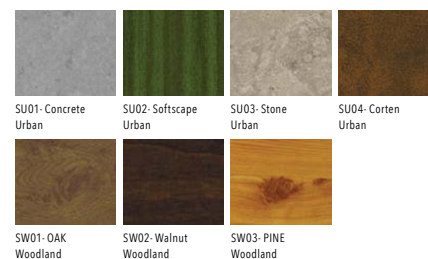
Light symbol



Product colour



Special finishes upon request



Technical information

Light source	16 LED
Light source type	LED
Dimming type	DALI, On/Off
Material	Aluminium
Weight	6.5 kg
Operating temperature	-20°C to 40°C

Luminaire	
Power	18 & 35 W
Lumen	1738 - 3910 lm
Efficacy	99 - 112 lm/W
CCT / CRI	3000K, 4000K
Drive current	350 & 700 mA
Driver option	Integral control gear
Driver	Constant current (CC)
Input voltage	220-240 V 50/60 Hz

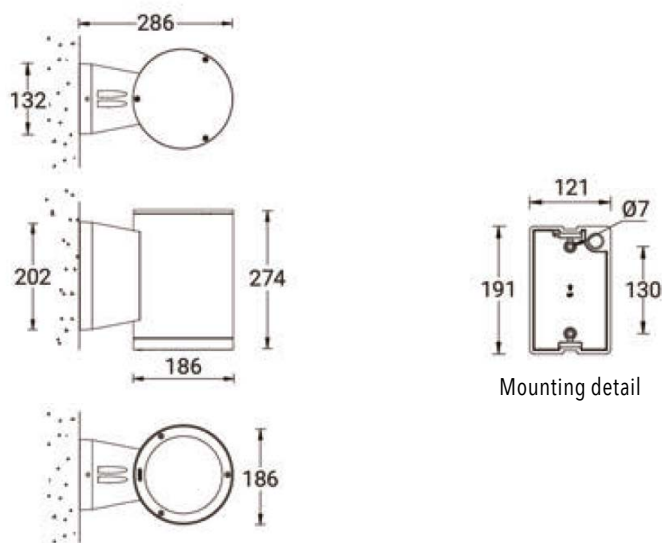
Optic	T2 [139°x52°], T3 [129°x69°], T4 [102°x78°], LA01 [151°x65°]
Bug	B1-U0-G1
ULR	0%
ULOR	0%
CIE flux code n°3	98
MacAdam Ellipse	3 SDCM
Lifetime L90B10 (hrs)	90,000
Lifetime L80B10 (hrs)	90,000
Lifetime L80B50 (hrs)	90,000

TANGO 29 (TA-31861)

Product variants

HOW TO SPECIFY

LIGA - TA-31861 - 350 - T2 - 8030 - ND - 01						
MODEL	OUTPUT	DISTRIBUTION	CRI/CCT	DIMMING	COLOUR FINISH	
TA-31861	350 18W	T2	8030	ND	01 BLACK	
	700 35W	T3	8040	DA	02 DARK GREY	
		T4	03 WHITE			
		LA01	05 MATT SILVER			
						06 BRONZE
					S - SPECIAL FINISH	



Accessories



Surface mounting box for easy cabling (TANGO 29)
LIGA-SCE-TANGO-29