

LADOR 4 (LD-50032)



Product description

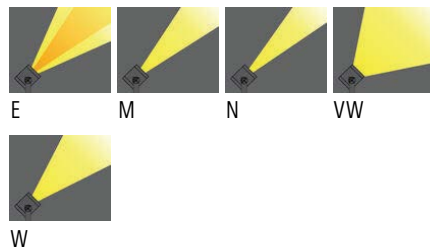
Integral control gear - 145x145 mm
Class I - RGBW



Luminaire structure

- Die-cast aluminium housing
- Thermal heat dissipation body
- Pre-treated before powder coating ensuring high corrosion resistance
- Single cable entry
- One IP68 connector supplied with 0.2 m of 8x0.5 sqmm outdoor cable for LD-50032
- Stainless steel fasteners in grade 304 with zinc flake coating (ZFC)
- Durable silicone rubber gasket
- High-efficiency PMMA lens
- Clear toughened glass
- Integral control gear

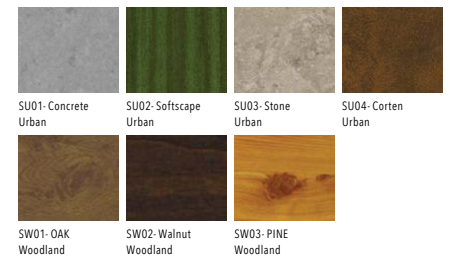
Light symbol



Product colour



Special finishes upon request



Technical information

Light source	16 LED
Light source type	LED
Dimming type	DMX, DMX/RDM
Material	Aluminium
Weight	3 kg
Operating temperature	-20°C to 40°C

Luminaire	
Power	28 W
Lumen	1322 - 1600 lm
Efficacy	47 - 57 lm/W
CCT / CRI	RGBW30, RGBW40
Drive current	1200 mA
Driver option	Integral control gear
Driver	Constant voltage (CV)
Input voltage	220-240 V 50/60 Hz

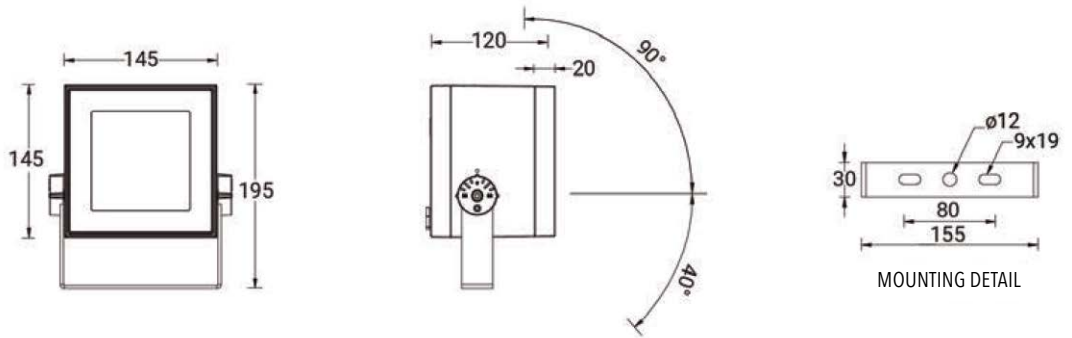
Optic	E [43°x11°], M [17°], N [8°] VW [65°], W [26°]
Bug	B1-U0-G0
ULR	0%
ULOR	0%
CIE flux code n°3	100

LADOR 4 (LD-50032)

Product variants

HOW TO SPECIFY

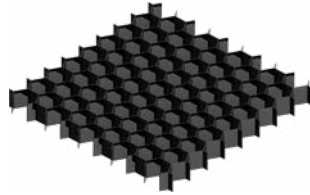
LIGA	-	LD-50032	-	M	-	RGBW30	-	DMX	-	01
MODEL	DISTRIBUTION	CRI/CCT	DIMMING	COLOUR FINISH						
LD-50032	E	RGBW30	DMX	01 BLACK						
	M	RGBW40	DMX/RDM	02 DARK GREY						
	N			03 WHITE						
	VW			05 MATT SILVER						
	W			06 BRONZE						
				S - SPECIAL FINISH						



Accessories



Anti-glare visor
LIGA-A53131



Honeycomb louvre
LIGA-A52121



Linear spread lens
LIGA-A51414