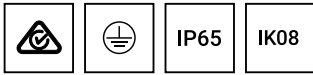


JET 42 (JE-80062)



Product description

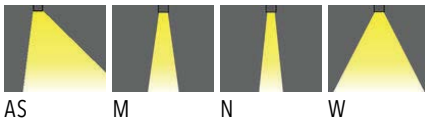
160x160 mm - 140 mm - Square



Luminaire structure

- Die-cast aluminium housing
- Pre-treated before powder coating ensuring high corrosion resistance
- Single cable entry
- Stainless steel fasteners in grade 304 with zinc flake coating (ZFC)
- Durable silicone rubber gasket
- Clear toughened glass
- Integral control gear
- Optional surface mounting box for easy wiring or conduit connection when wiring from behind is not possible

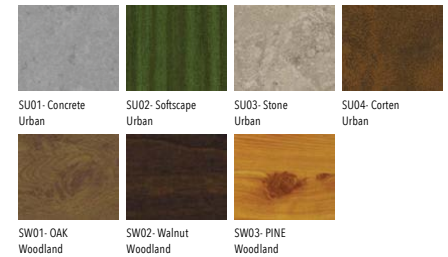
Light symbol



Product colour



Special finishes upon request



Technical information

Light source	1 COB
Light source type	COB
Dimming type	DALI, On/Off
Material	Aluminium
Weight	1.2 kg
Operating temperature	-20°C to 40°C

Luminaire	
Power	10 W, 20 W
Lumen	1271 - 2284 lm
Efficacy	85 - 114 lm/W
CCT / CRI	3000K CRI80, 4000K CRI80
Drive current	250 mA, 500 mA
Driver option	Integral control gear
Driver	Constant current (CC)
Input voltage	220-240 V 50/60 Hz

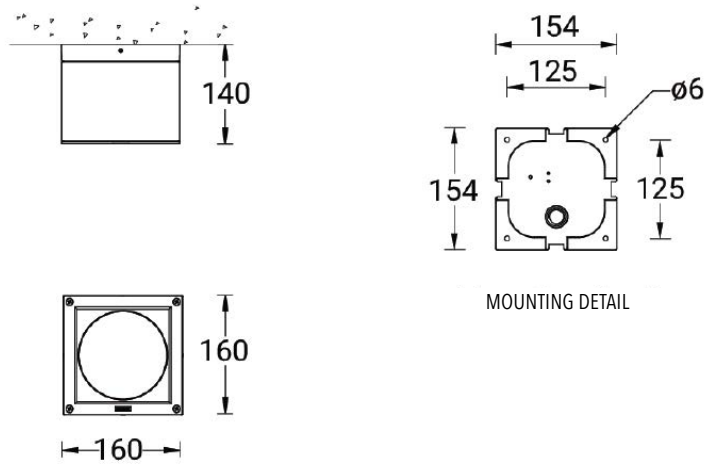
Optic	AS [46°x56°], M [35°] N [22°], W [52°]
Bug	B1-U1-G0, B2-U1-G0
ULR	0%
ULOR	0%
CIE flux code n°3	100
MacAdam Ellipse 5	3 SDCM
Lifetime L90B10 (hrs)	50,700
Lifetime L80B10 (hrs)	63,500
Lifetime L80B50 (hrs)	63,500

JET 42 (JE-80062)

Product variants

HOW TO SPECIFY

LIGA	-	JE-80062	-	500	-	M	-	8030	-	ND	-	01
MODEL	OUTPUT	DISTRIBUTION	CRI/CCT	DIMMING	COLOUR FINISH							
JE-80062	250 10W	AS	8030	ND	01 BLACK							
	500 20W	M	8040	DALI	02 DARK GREY							
		N			03 WHITE							
		W			05 MATT SILVER							
					06 BRONZE							
					S - SPECIAL FINISH							



Accessories



Surface mounting box
for easy cabling (JET 42)
LIGA-SCE-JET-42