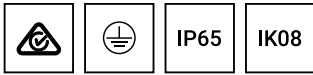
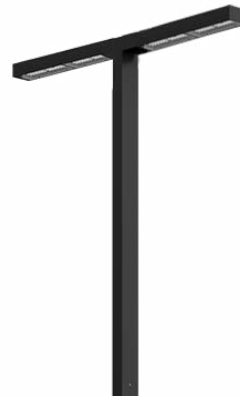


LIGHT LINEAR PT 5 (LI-21183)



Product description

2 sides - Supplied with specific square, straight aluminium pole - Height options: 3,4,5,6 m



Luminaire structure

- Die-cast aluminium housing
- Extruded aluminium column
- Pre-treated before powder coating ensuring high corrosion resistance
- Stainless steel fasteners in grade 304 with zinc flake coating (ZFC)
- Durable silicone rubber gasket
- Clear toughened glass
- Integral control gear
- Maximum wind load resistance is 100 km/h
- Surge protection 10kV

Light symbol



T2 T3 T4 LA01

Product colour



01- Black (RAL 9011) 02- Dark Grey (RAL 7043) 03- White (RAL 9003) 05- Matt Silver (RAL 9006)



06- Bronze (RAL 6014)

Special finishes upon request



SU01- Concrete Urban SU02- Softscape Urban SU03- Stone Urban SU04- Corten Urban



SW01- OAK Woodland SW02- Walnut Woodland SW03- PINE Woodland

Technical information

Light source	2 x 24 LED
Light source type	LED
Dimming type	DALI, On/Off
Material	Aluminium
Weight	36.8 kg
Operating temperature	-20°C to 50°C

Luminaire	
Power	164W
Lumen	14952 - 16896 lm
Efficacy	91 - 103 lm/W
CCT / CRI	3000K CRI80, 4000K CRI80
Drive current	1000 mA
Driver option	Integral control gear
Driver	Constant current (CC)
Input voltage	220-240 V 50/60 Hz

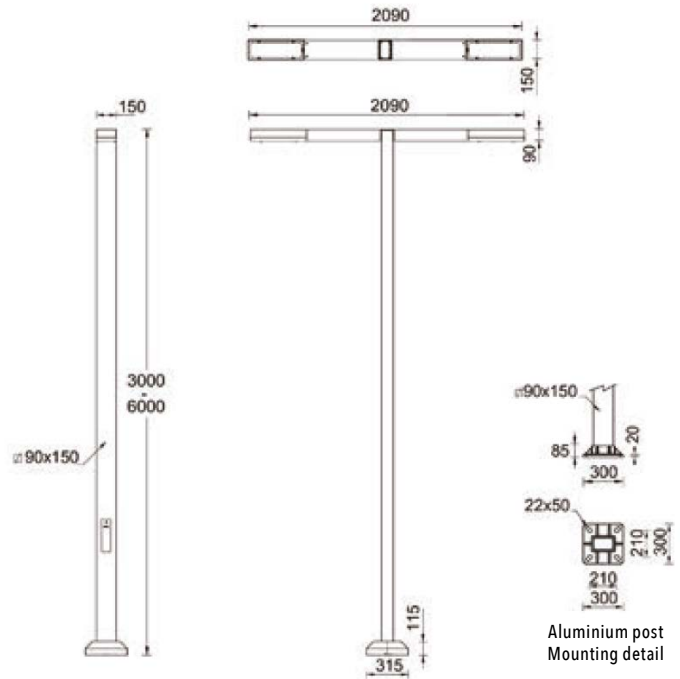
Optic	T2 [140°x47°], T3 [134°x68°], T4 [92°x78°], LA01 [151°x65°]
Bug	B2-U0-G2
ULR	0%
ULOR	0%
CIE flux code n°3	98
MacAdam Ellipse	3 SDCM
Lifetime L90B10 (hrs)	90,000
Lifetime L80B10 (hrs)	90,000
Lifetime L80B50 (hrs)	90,000

LIGHT LINEAR PT 5 (LI-21183)

Product variants

HOW TO SPECIFY

LIGA	-	LI-21183	-	1000	-	T2	-	8030	-	ND	-	01
MODEL	OUTPUT	DISTRIBUTION	CRI/CCT	DIMMING	COLOUR FINISH							
LI-21183	1000 164W	T2	8030	ND	01 BLACK							
		T3	8040	DALI	02 DARK GREY							
		T4			03 WHITE							
		LA01			05 MATT SILVER							
					06 BRONZE							
					S - SPECIAL FINISH							



Accessories



3 m - Square, straight aluminium pole for LIGHT LINEAR PT - 2 sides
LIGA-APC230090-PT5-LI-21183



4 m - Square, straight aluminium pole for LIGHT LINEAR PT - 2 sides
LIGA-APC240090-PT5-LI-21183



5 m - Square, straight aluminium pole for LIGHT LINEAR PT - 2 sides
LIGA-APC250090-PT5-LI-21183



6 m - Square, straight aluminium pole for LIGHT LINEAR PT - 2 sides
LIGA-APC260090-PT5-LI-21183



Internal cable support for pole 3 m
LIGA-A23991



Internal cable support for pole 4 m
LIGA-A24091



Internal cable support for pole 5 m
LIGA-A24191



Internal cable support for pole 6 m
LIGA-A24291