

TANGO 32 (TA-31892)



Product description

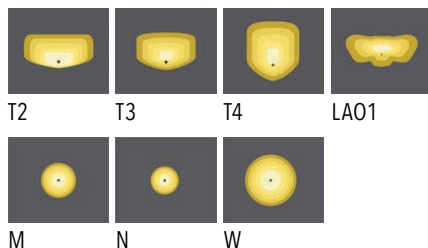
186x186 mm - 290 mm - Down (Optic)
& Up (Optic 2nd) - Square



Luminaire structure

- Die-cast aluminium housing and frame
- Pre-treated before powder coating ensuring high corrosion resistance
- Single cable entry
- Stainless steel fasteners in grade 304 with zinc flake coating (ZFC)
- Durable silicone rubber gasket
- Clear toughened glass
- High-efficiency optical reflector
- Integral control gear
- Optional surface mounting box for easy wiring or conduit connection when wiring from behind is not possible
- TANGO luminaires with uplight and colder than 3000K CCT do not meet the IDA certification requirements

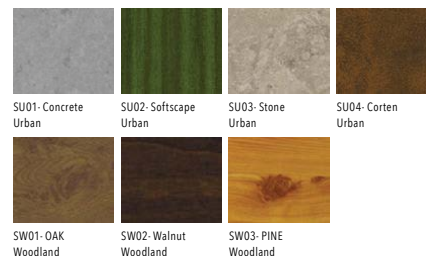
Light symbol



Product colour



Special finishes upon request



Technical information

Light source	16 & 24 LED
Light source type	LED
Dimming type	DALI, On/Off
Material	Aluminium
Weight	6.4 kg
Operating temperature	-20°C to 40°C

Luminaire	
Power	72 W
Lumen	7002 - 7910 lm
Efficacy	97 - 110 lm/W
CCT / CRI	3000K, 4000K
Drive current	700 & 1050 mA
Driver option	Integral control gear
Driver	Constant current (CC)
Input voltage	220-240 V 50/60 Hz

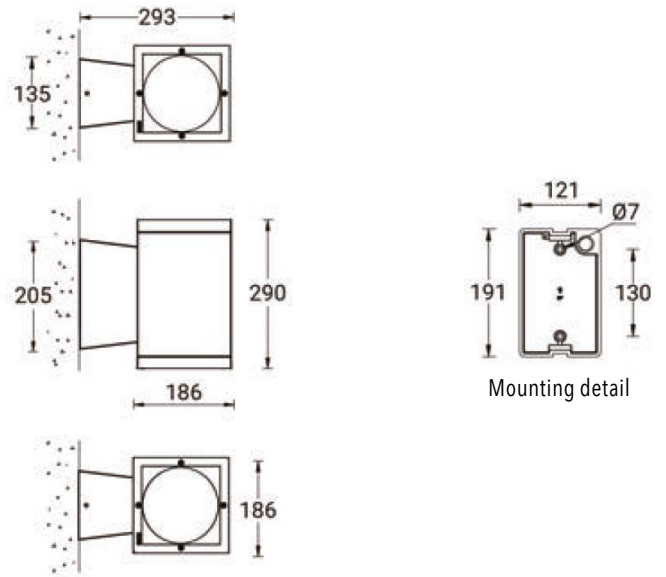
Optic	T2 [139°x52°], T3 [129°x69°], T4 [102°x78°], LAO1 [151°x65°]
Optic (Up)	M [26°], N [12°], W [40°]
Bug	B1-U5-G1
ULR	51%, 49%, 50%, 52%
ULOR	51%, 49%, 50%, 52%
CIE flux code n°3	98
MacAdam Ellipse	3 SDCM
Lifetime L90B10 (hrs)	90,000
Lifetime L80B10 (hrs)	90,000
Lifetime L80B50 (hrs)	90,000

TANGO 32 (TA-31892)

Product variants

HOW TO SPECIFY

LIGA - TA-31892 - 700 - T2 - N - 8030 - ND - 01						
MODEL	OUTPUT	DISTRIBUTION		CRI/CCT	DIMMING	COLOUR FINISH
DOWN-UP						
TA-31892	700/1050 72W	T2	M	8030	ND	01 BLACK
		T3	N	8040	DALI	02 DARK GREY
		T4	W			03 WHITE
		LA01				05 MATT SILVER
						06 BRONZE
					S - SPECIAL FINISH	



Accessories



Surface mounting box for easy cabling (TANGO 32)
LIGA-SCE-TANGO-32