

**TANGO 30** (TA-31872)



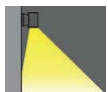
**Product description**

186x186 mm - 274 mm - Down - Square

**Luminaire structure**

- Die-cast aluminium housing and frame
- Pre-treated before powder coating ensuring high corrosion resistance
- Single cable entry
- Stainless steel fasteners in grade 304 with zinc flake coating (ZFC)
- Durable silicone rubber gasket
- Clear toughened glass
- High-efficiency optical reflector
- Integral control gear
- Optional surface mounting box for easy wiring or conduit connection when wiring from behind is not possible

**Light symbol**



AS

**Product colour**



01- Black (RAL 9011)    02- Dark Grey (RAL 7043)    03- White (RAL 9003)    05- Matt Silver (RAL 9006)



06- Bronze (RAL 6014)

**Special finishes upon request**



SU01- Concrete Urban    SU02- Softscape Urban    SU03- Stone Urban    SU04- Corten Urban



SW01- OAK Woodland    SW02- Walnut Woodland    SW03- PINE Woodland

**Technical information**

Light source	1 COB
Light source type	COB
Dimming type	DALI, On/Off
Material	Aluminium
Weight	6.5 kg
Operating temperature	-20°C to 40°C

<b>Luminaire</b>	
Power	29 W
Lumen	2535 - 2566 lm
Efficacy	87 - 88 lm/W
CCT / CRI	3000K CRI80, 4000K CRI80
Drive current	700 mA
Driver option	Integral control gear
Driver	Constant current (CC)
Input voltage	220-240 V 50/60 Hz

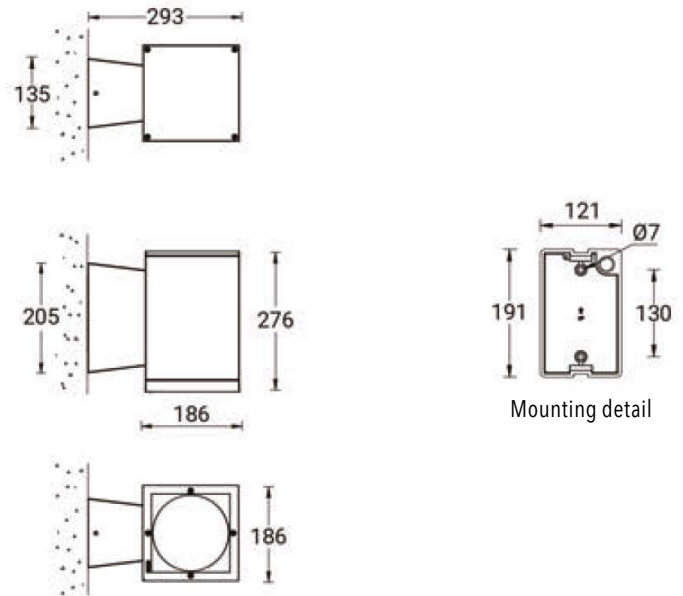
Optic	AS [46°x56°]
MacAdam Ellipse	3 SDCM
Lifetime L90B10 (hrs)	55,000

**TANGO 30 (TA-31872)**

Product variants

HOW TO SPECIFY

LIGA	-	TA-31872	-	700	-	AS	-	8030	-	ND	-	01
MODEL	OUTPUT	DISTRIBUTION	CRI/CCT	DIMMING	COLOUR FINISH							
TA-31872	700 29W	AS	8030	ND	01 BLACK							
			8040	DALI	02 DARK GREY							
					03 WHITE							
					05 MATT SILVER							
					06 BRONZE							
					S- SPECIAL FINISH							



Accessories



Surface mounting box for easy cabling (TANGO 30)  
LIGA-SCE-TANGO-30