

Product description

IP66

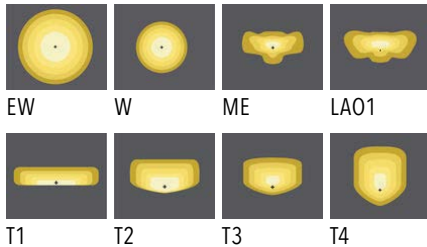


microVos™
TECHNOLOGY

Luminaire structure

- Die-cast aluminium housing
- Pre-treated before powder coating ensuring high corrosion resistance
- Customised dimensions are available as standard upon request
- One IP68 connector supplied with 0.2 m of 3x1.0 sqmm outdoor cable
- Stainless steel fasteners in grade 304 with zinc flake coating (ZFC)
- Durable silicone rubber gasket
- High-efficiency PMMA lens
- Clear toughened glass
- Integral control gear

Light symbol



EW W ME LAO1

T1 T2 T3 T4

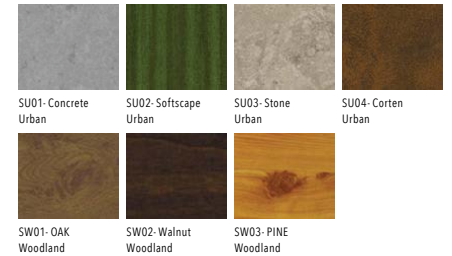
Product colour



01-Black (RAL 9011) 02-Dark Grey (RAL 7043) 03-White (RAL 9003) 05-Matt Silver (RAL 9006)

06-Bronze (RAL 6014)

Special finishes upon request



SU01-Concrete Urban SU02-Softscape Urban SU03-Stone Urban SU04-Corten Urban

SW01-OAK Woodland SW02-Walnut Woodland SW03-PINE Woodland

Technical information

Light source	48 LED
Light source type	LED
Dimming type	DALI, On/Off
Material	Aluminium
Weight	10.0 kg
Operating temperature	-20°C to 50°C

Luminaire	
Power	26 W, 52 W, 78 W & 104 W
Lumen	3108 - 14374 lm
Efficacy	120 - 138 lm/W
CCT / CRI	3000K CRI80, 4000K CRI80
Drive current	175, 350, 525 & 700 mA
Driver option	Integral control gear
Driver	Constant current (CC)
Input voltage	220-240 V 50/60 Hz

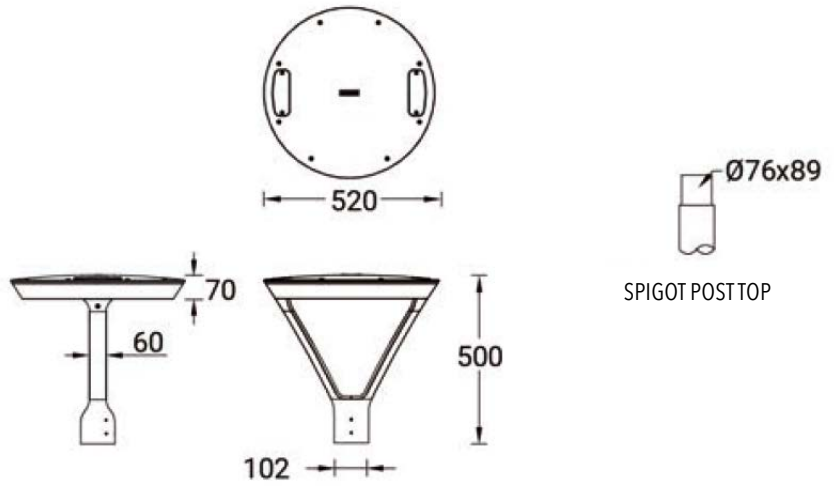
Optic	EW [105°x113°], W [51°x56°] ME [58°x136°], LAO1 [151°x65°] T1 [145°x68°], T2 [54°x137°] T3 [85°x119°], T4 [73°x101°]
Bug	B3-U0-G2, B2-U0-G2 B2-U0-G1, B3-U0-G1
ULR	0%
ULOR	0%
CIE flux code n°3	99, 97, 98

MACARON 2 (MC-20012)

Product variants

HOW TO SPECIFY

LIGA	MC-20012	700	LA01	8030	ND	01
MODEL	OUTPUT	DISTRIBUTION	CRI/CCT	DIMMING	COLOUR FINISH	
MC-20012	175 26W	EW	8030	ND	01 BLACK	
	350 52W	W	8040	DALI	02 DARK GREY	
	525 78W	ME			03 WHITE	
	700 104W	LA01			05 MATT SILVER	
		T1			06 BRONZE	
		T2			S - SPECIAL FINISH	
		T3				
		T4				



Accessories



Integrated Glare Technology
LIGA-IGT