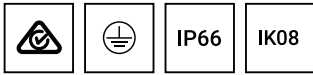


MACARON 2 (MC-20011)



Product description

IP66

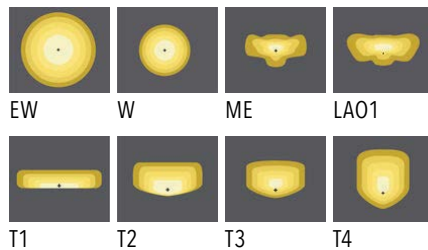


microVos™
TECHNOLOGY

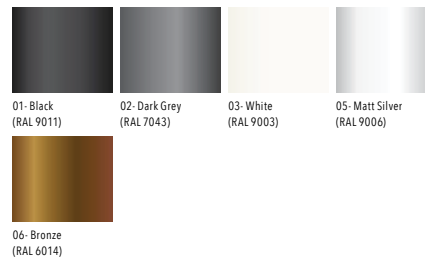
Luminaire structure

- Die-cast aluminium housing
- Pre-treated before powder coating ensuring high corrosion resistance
- Customised dimensions are available as standard upon request
- One IP68 connector supplied with 0.2 m of 3x1.0 sqmm outdoor cable
- Stainless steel fasteners in grade 304 with zinc flake coating (ZFC)
- Durable silicone rubber gasket
- High-efficiency PMMA lens
- Clear toughened glass
- Integral control gear

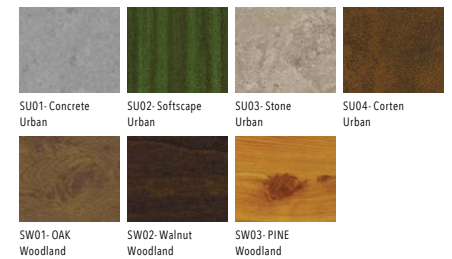
Light symbol



Product colour



Special finishes upon request



Technical information

Light source	2 x 24 LED
Light source type	LED
Dimming type	DALI, On/Off
Material	Aluminium
Weight	10.0 kg
Operating temperature	-20°C to 50°C

Luminaire	
Power	22 W, 40 W, 60 W & 81 W
Lumen	2290 - 10348 lm
Efficacy	113 - 128 lm/W
CCT / CRI	3000K CRI80, 4000K CRI80
Drive current	150, 275, 410, 550 mA
Driver option	Integral control gear
Driver	Constant current (CC)
Input voltage	220-240 V 50/60 Hz

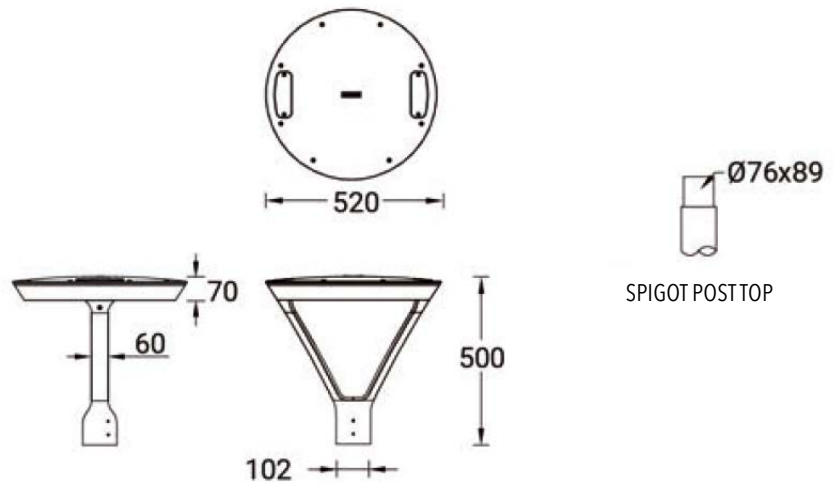
Optic	EW [105°x113°], W [51°x56°] ME [58°x136°], LAO1 [151°x65°] T1 [145°x68°], T2 [54°x137°] T3 [85°x119°], T4 [73°x101°]
Bug	B3-U0-G2, B2-U0-G2 B2-U0-G1, B3-U0-G1
ULR	0%
ULOR	0%
CIE flux code n°3	99, 97, 98

MACARON 2 (MC-20011)

Product variants

HOW TO SPECIFY

LIGA	-	MC-20011	-	500	-	LA01	-	8030	-	ND	-	01
		MODEL		OUTPUT		DISTRIBUTION		CRI/CCT		DIMMING		COLOUR FINISH
		MC-20011		150 22W		EW		8030		ND		01 BLACK
				275 40W		W		8040		DALI		02 DARK GREY
				410 60W		ME						03 WHITE
				550 81W		LA01						05 MATT SILVER
						T1						06 BRONZE
						T2						S - SPECIAL FINISH
						T3						
						T4						



Maximum pathway spacing in metres

LUMINAIRE CODE	AS/NZS 1158.3.1:2020 CATEGORY	PATHWAY WIDTH			
		2 MTR		3 MTR	
		MH 4.0m	MH 5.0m	MH 4.0m	MH 5.0m
MC-20011-LA01-8030	PP1 LIGHT CAT	14.9	18.4	14.8*	18.3
-150mA	PP2 LIGHT CAT	18.2	22.7	18.2	22.6
POSTTOP	PP3 LIGHT CAT	22.5	27.3	22.4	27.2
	PP4 LIGHT CAT	25.1	31.2	25.0	31.1
	PP5 LIGHT CAT	28.1	36.3	28.1	36.2

Maintenance Factor - 0.8 Offset from Path Edge - 0.5m

Spacing Table to be used as a guide
 Figures are based on parameters set out in AS/NZS 1158.3.1:2020 - Table 3.4

Footnote d)

*50% of Point horizontal illuminance is achieved over an area of 5.0m on the pole side and 4.5m on far side.

Accessories



Integrated Glare Technology
LIGA-IGT