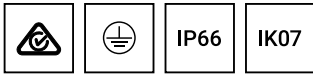


HAMILTON 1 (HAM-20002)



Product description

1 side



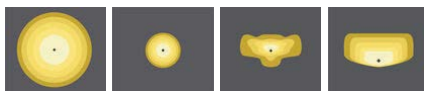
Luminaire structure

- Die-cast aluminium housing
- Pre-treated before powder coating ensuring high corrosion resistance
- One IP68 connector supplied with 0.5 m of 3x1.0 sqmm outdoor cable for HAM-20002

- Stainless steel fasteners in grade 304 with zinc flake coating (ZFC)
- Durable silicone rubber gasket
- Clear toughened glass

- Integral control gear
- Surge protection 10kV

Light symbol



EW M ME T2



T3 T4 W LA01

Product colour



01- Black (RAL 9011) 02- Dark Grey (RAL 7043) 03- White (RAL 9003) 05- Matt Silver (RAL 9006)



06- Bronze (RAL 6014)

Special finishes upon request



SU01- Concrete Urban SU02- Softscape Urban SU03- Stone Urban SU04- Corten Urban



SW01- OAK Woodland SW02- Walnut Woodland SW03- PINE Woodland

Technical information

Light source	48 LED
Light source type	LED
Dimming type	DALI, On/Off
Material	Aluminium
Weight	15.92 kg
Operating temperature	-20°C to 40°C

Luminaire	
Power	75 W
Lumen	8395 - 9862 lm
Efficacy	115 - 135 lm/W
CCT / CRI	3000K CRI80, 4000K CRI80
Drive current	1000 mA
Driver option	Integral control gear
Driver	Constant current (CC)
Input voltage	220-240 V 50/60 Hz

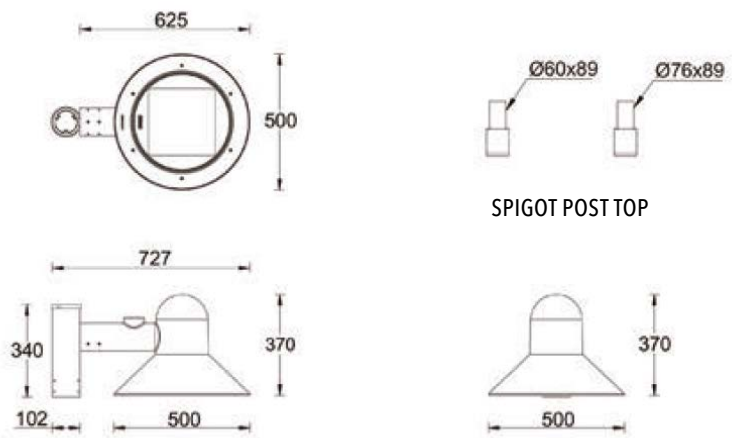
Optic	EW [110°], M [30°], ME [138°x60°], T2 [137°x54°], T3 [120°x94°], T4 [103°x70°], W [57°], LA01 [151°x65°]
Bug	B3-U0-G0, B4-U0-G0, B2-U0-G2, B1-U0-G1, B2-U0-G1
ULR	0%
ULOR	0%
CIE flux code n°3	99, 98, 97
MacAdam Ellipse	3 SDCM
Lifetime L90B10 (hrs)	90,000
Lifetime L80B10 (hrs)	90,000
Lifetime L80B50 (hrs)	90,000

HAMILTON 1 (HAM-20002)

Product variants

HOW TO SPECIFY

MODEL	OUTPUT	DISTRIBUTION	CRI/CCT	DIMMING	COLOUR FINISH
HAM-20002	1000 75W	EW	8030	ND	01 BLACK
		M	8040	DALI	02 DARK GREY
		ME			03 WHITE
		T2			05 MATT SILVER
		T3			06 BRONZE
		T4			S- SPECIAL FINISH
		W			
		LA01			



Accessories



Integrated Glare Technology
LIGA-IGT