



## Product description

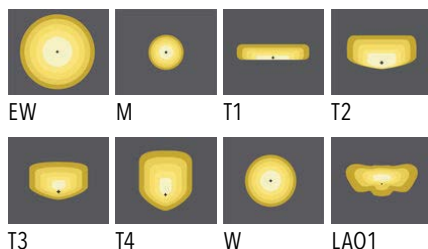
Ø100 - 220 mm - Down



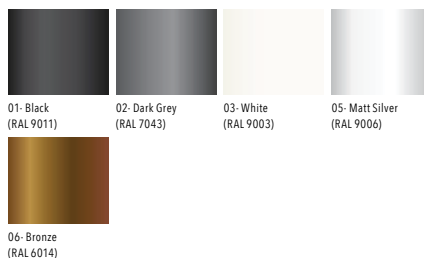
## Luminaire structure

- Die-cast aluminium housing and frame
- Pre-treated before powder coating ensuring high corrosion resistance
- Single cable entry
- Stainless steel fasteners in grade 304 with zinc flake coating (ZFC)
- Durable silicone rubber gasket
- High-efficiency optical reflector
- Clear toughened glass
- Integral control gear
- Optional surface mounting box for easy wiring or conduit connection when wiring from behind is not possible

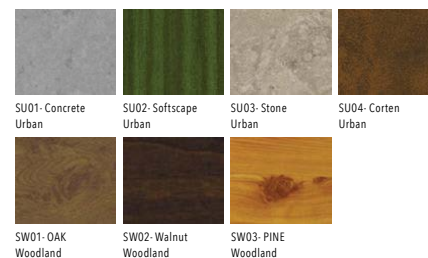
## Light symbol



## Product colour



## Special finishes upon request



## Technical information

Light source	4 LED
Light source type	LED
Dimming type	DALI, On/Off
Material	Aluminium
Weight	2.6 kg
Operating temperature	-20°C to 40°C

<b>Luminaire</b>	
Power	10 W
Lumen	890 - 1182 lm
Efficacy	89 - 118 lm/W
CCT / CRI	3000K CRI80, 4000K CRI80
Drive current	700 mA
Driver option	Integral control gear
Driver	Constant current (CC)
Input voltage	220-240 V 50/60 Hz

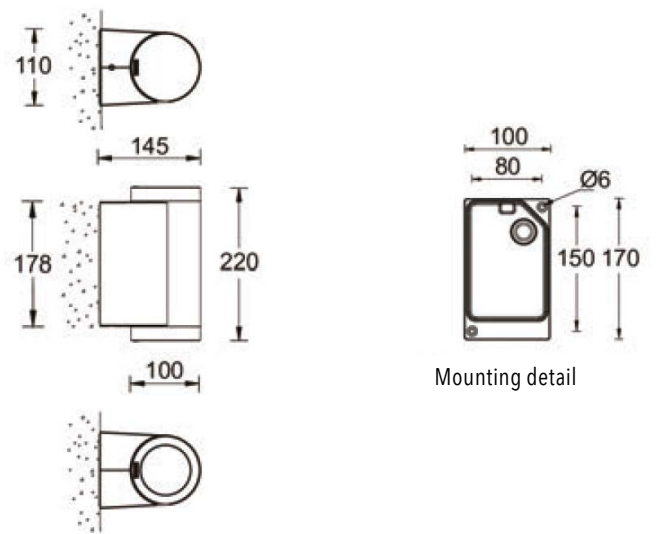
Optic	EW [97°x 104°], M [31°], T1 [143°x70°], T2 [130°x44°], T3 [125°x75°], T4 [98°x68°], W [56°], LAO1 [133°x56°]
Bug	B0-U0-G0, B1-U0-G0
ULR	0%
ULOR	0%
CIE flux code n°3	99, 100, 98
MacAdam Ellipse	3 SDCM
Lifetime L90B10 (hrs)	90,000
Lifetime L80B10 (hrs)	90,000
Lifetime L80B50 (hrs)	90,000

**MARVIK 2 (MV-30013)**

**Product variants**

**HOW TO SPECIFY**

MODEL	OUTPUT	DISTRIBUTION	CRI/CCT	DIMMING	COLOUR FINISH
MV-30013	700 10W	EW	8030	ND	01 BLACK
		M	8040	DALI	02 DARK GREY
		T1			03 WHITE
		T2			05 MATT SILVER
		T3			06 BRONZE
		T4			S- SPECIAL FINISH
		W			
		LA01			



**Accessories**



Surface mounting box for easy cabling (MARVIK 2)  
LIGA-SCE-MARVIK-2