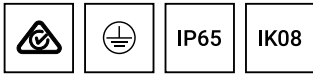


JET 57 (JE-10571)



Product description

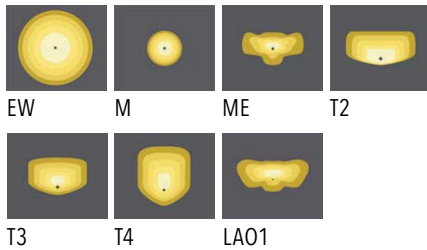
Ø102 - 1000 mm - 1 side - Round



Luminaire structure

- Die-cast aluminium housing
- Extruded aluminium column
- Pre-treated before powder coating ensuring high corrosion resistance
- Single cable entry
- One IP68 connector supplied with 0.2 m of 3x1.0 sqmm outdoor cable
- Stainless steel fasteners in grade 304 with zinc flake coating (ZFC)
- Durable silicone rubber gasket
- Clear toughened glass
- Integral control gear

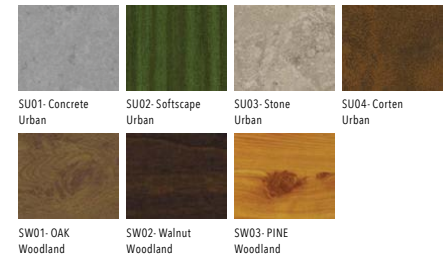
Light symbol



Product colour



Special finishes upon request



Technical information

Light source	4 LED
Light source type	LED
Dimming type	DALI, On/Off
Material	Aluminium
Weight	5.4 kg
Operating temperature	-20°C to 40°C

Luminaire	
Power	11 W
Lumen	953 - 1132 lm
Efficacy	87 - 103 lm/W
CCT / CRI	3000K CRI80, 4000K CRI80
Drive current	700 mA
Driver option	Integral control gear
Driver	Constant current (CC)
Input voltage	220-240 V 50/60 Hz

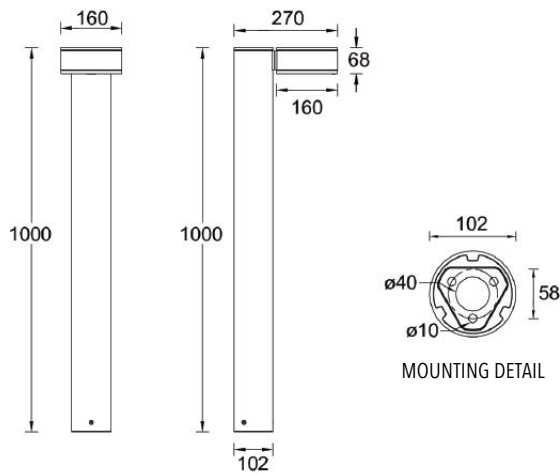
Optic	EW [116°], M [30°] ME [138°x58°], T2 [131°x43°] T3 [124°x61°], T4 [94°x68°] LA01 [151°x65°]
Bug	B1-U0-G0, B0-U0-G0
ULR	0%
ULOR	0%
CIE flux code n°3	99, 97, 96, 98
MacAdam Ellipse	3 SDCM
Lifetime L90B10 (hrs)	90,000
Lifetime L80B10 (hrs)	90,000
Lifetime L80B50 (hrs)	90,000

JET 57 (JE-10571)

Product variants

HOW TO SPECIFY

MODEL	OUTPUT	DISTRIBUTION	CRI/CCT	DIMMING	COLOUR FINISH
JE-10571	700 11W	EW	8030	ND	01 BLACK
		M	8040	DALI	02 DARK GREY
		ME			03 WHITE
		T2			05 MATT SILVER
		T3			06 BRONZE
		T4			S - SPECIAL FINISH
		LA01			



Accessories



Anchor Bolt
LIGA - A10791