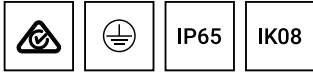


TANGO 29 (TA-31862)



Product description

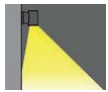
Ø186 - 274 mm - Down - Round



Luminaire structure

- Die-cast aluminium housing and frame
- Pre-treated before powder coating ensuring high corrosion resistance
- Single cable entry
- Stainless steel fasteners in grade 304 with zinc flake coating (ZFC)
- Durable silicone rubber gasket
- Clear toughened glass
- High-efficiency optical reflector
- Integral control gear
- Optional surface mounting box for easy wiring or conduit connection when wiring from behind is not possible

Light symbol



AS

Product colour

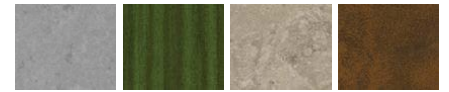


01- Black (RAL 9011) 02- Dark Grey (RAL 7043) 03- White (RAL 9003) 05- Matt Silver (RAL 9006)



06- Bronze (RAL 6014)

Special finishes upon request



SU01- Concrete Urban SU02- Softscape Urban SU03- Stone Urban SU04- Corten Urban



SW01- OAK Woodland SW02- Walnut Woodland SW03- PINE Woodland

Technical information

Light source	1 COB
Light source type	COB
Dimming type	DALI, On/Off
Material	Aluminium
Weight	4.4 kg
Operating temperature	-20°C to 40°C

Luminaire	
Power	29 W
Lumen	2535 - 2566 lm
Efficacy	87 - 88 lm/W
CCT / CRI	3000K CRI80, 4000K CRI80
Drive current	700 mA
Driver option	Integral control gear
Driver	Constant current (CC)
Input voltage	220-240 V 50/60 Hz

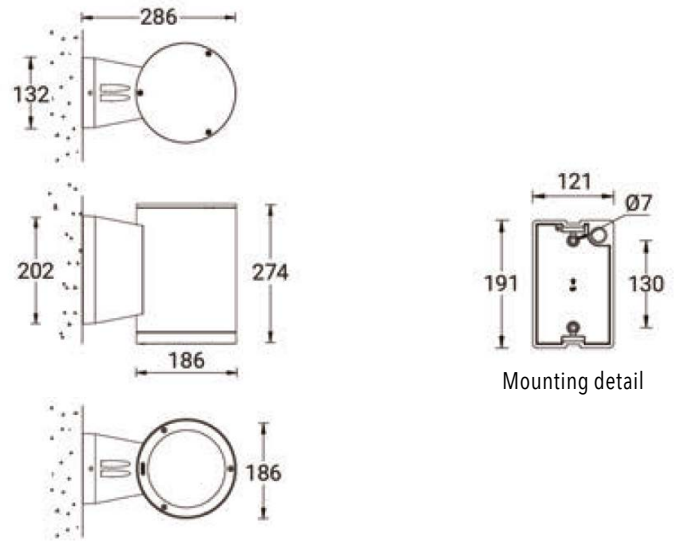
Optic	AS [46°x56°]
MacAdam Ellipse	3 SDCM
Lifetime L90B10 (hrs)	55,000

TANGO 29 (TA-31862)

Product variants

HOW TO SPECIFY

LIGA	-	TA-31862	-	700	-	AS	-	8030	-	ND	-	01
MODEL	OUTPUT	DISTRIBUTION	CRI/CCT	DIMMING	COLOUR FINISH							
TA-31862	700 29W	AS	8030	ND	01 BLACK							
			8040	DALI	02 DARK GREY							
					03 WHITE							
					05 MATT SILVER							
					06 BRONZE							
					S - SPECIAL FINISH							



Accessories



Surface mounting box for easy cabling (TANGO 29)
LIGA-SCE-TANGO-29