



## Product description

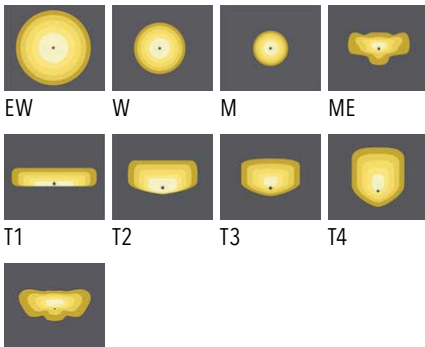
260x75 - 500 mm



## Luminaire structure

- Die-cast aluminium housing and frame
- Extruded aluminium column
- Pre-treated before powder coating ensuring high corrosion resistance
- Single cable entry
- One IP68 connector supplied with 0.2 m of 3x1.0 sqmm outdoor cable
- Stainless steel fasteners in grade 304 with zinc flake coating (ZFC)
- Durable silicone rubber gasket
- Clear toughened glass
- High-efficiency PMMA lens
- Integral control gear

## Light symbol

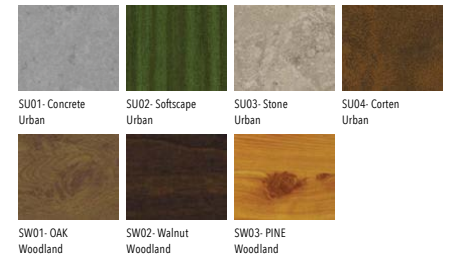


LAO1

## Product colour



## Special finishes upon request



## Technical information

Light source	12 LED
Light source type	LED
Dimming type	DALI, On/Off
Material	Aluminium
Weight	7.0 kg
Operating temperature	-20°C to 40°C

Luminaire	
Power	19.7 W
Lumen	2045 - 2422 lm
Efficacy	104 -123 lm/W
CCT / CRI	3000K CRI80, 4000K CRI80
Drive current	500 mA
Driver option	Integral control gear
Driver	Constant current (CC)
Input voltage	220-240 V 50/60 Hz

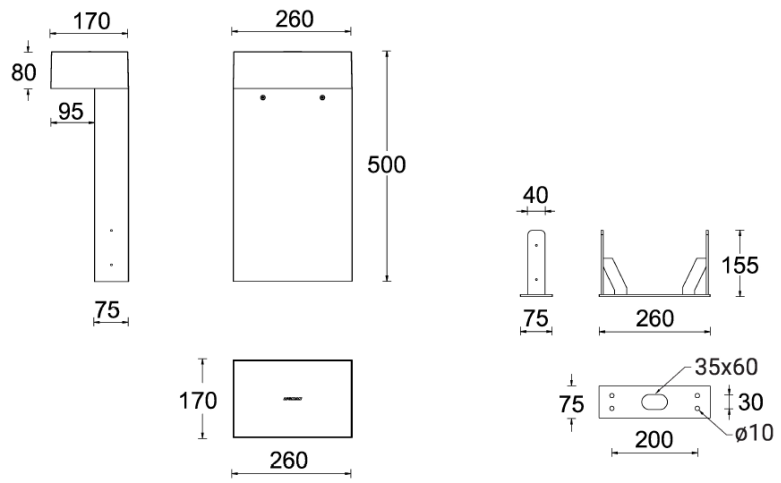
Optic	EW [114°x109°], W[55°], M[30°] ME [133°x54°], T1[145°x68°] T2 [131°x43°], T3 [124°x61°] T4 [94°x68°], LAO1 [151°x65°]
Bug	B0-U0-G0, B1-U0-G0
ULR	0%
ULOR	0%
CIE flux code n°3	100, 99
MacAdam Ellipse	3 SDCM
Lifetime L90B10 (hrs)	90,000
Lifetime L80B10 (hrs)	90,000
Lifetime L80B50 (hrs)	90,000

**PRAGUE 3 (PRA-10021)**

Product variants

HOW TO SPECIFY

LIGA - PRA-10021 - 500 - T2 - 8030 - ND - 01						
MODEL	OUTPUT	DISTRIBUTION	CRI/CCT	DIMMING	COLOUR FINISH	
PRA-10021	500 19.7W	EW	8030	ND	01 BLACK	
		W	8040	DALI	02 DARK GREY	
		M			03 WHITE	
		ME			05 MATT SILVER	
		T1			06 BRONZE	
		T2			S - SPECIAL FINISH	
		T3				
		T4				
		LA01				



Accessories



Anchor bolt  
LIGA - A12091