

**MARVIK 5 (MV-30041)**



**Product description**

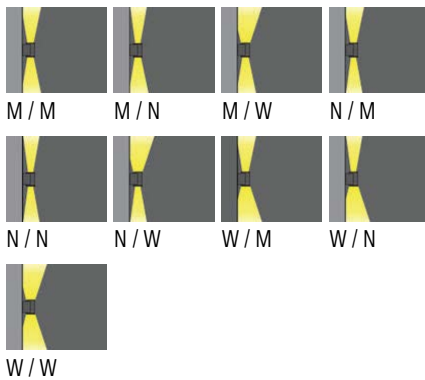
Ø100 - 220 mm - Down (Optic)  
& Up (Optic 2nd)



**Luminaire structure**

- Die-cast aluminium housing and frame
- Pre-treated before powder coating ensuring high corrosion resistance
- Single cable entry
- Stainless steel fasteners in grade 304 with zinc flake coating (ZFC)
- Durable silicone rubber gasket
- High-efficiency optical reflector
- Clear toughened glass
- Integral control gear
- Optional surface mounting box for easy wiring or conduit connection when wiring from behind is not possible

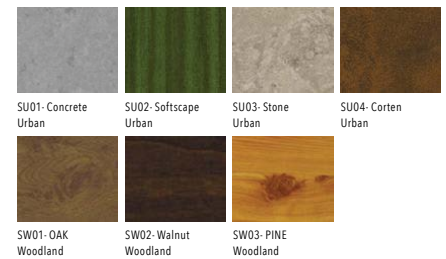
**Light symbol**



**Product colour**



**Special finishes upon request**



**Technical information**

Light source	1 & 1 COB
Light source type	COB
Dimming type	DALI, On/Off
Material	Aluminium
Weight	2.7 kg
Operating temperature	-20°C to 40°C

<b>Luminaire</b>	
Power	27 W
Lumen	3202 - 3556 lm
Efficacy	119 - 132 lm/W
CCT / CRI	3000K CRI80, 4000K CRI80
Drive current	700 mA
Driver option	Integral control gear
Driver	Constant current (CC)
Input voltage	220-240 V 50/60 Hz

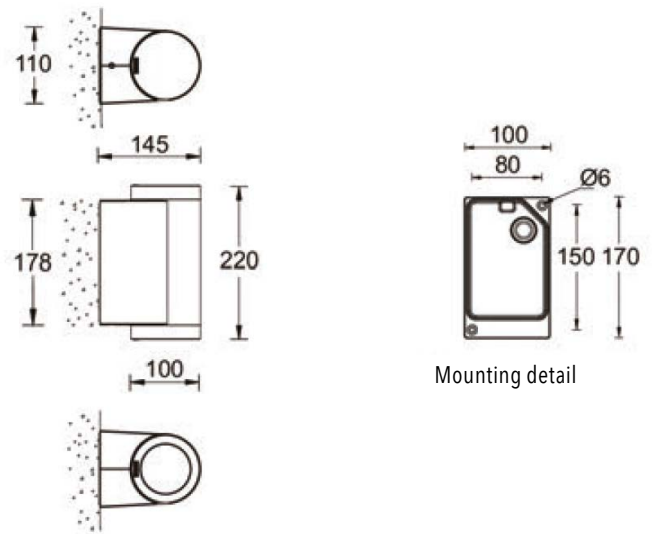
Optic	M [23°], N [13°], W [43°]
Optic (Up)	M [23°], N [13°], W [43°]
Bug	B2-U5-G0
ULR	50%, 51%, 48%, 49%
ULOR	50%, 51%, 48%, 49%
CIE flux code n°3	100
MacAdam Ellipse	3 SDCM
Lifetime L90B10 (hrs)	61,000

**MARVIK 5 (MV-30041)**

**Product variants**

**HOW TO SPECIFY**

LIGA	-	MA-30041	-	700	-	M	-	-	8030	-	ND	-	01
MODEL	OUTPUT	DISTRIBUTION		CRI/CCT	DIMMING	COLOUR FINISH							
<b>DOWN-UP</b>													
MA-30041	700 27W	M	M	8030	ND	01 BLACK							
		N	N	8040	DALI	02 DARK GREY							
		W	W			03 WHITE							
						05 MATT SILVER							
						06 BRONZE							
						S- SPECIAL FINISH							



**Accessories**



Surface mounting box for easy cabling (MARVIK 5)  
LIGA-SCE-MARVIK-5