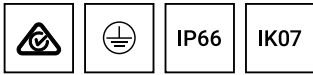


HAMILTON 4 (HAM-20032)



Product description

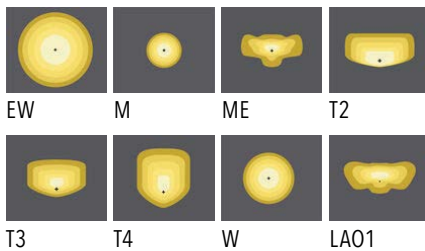
2 side



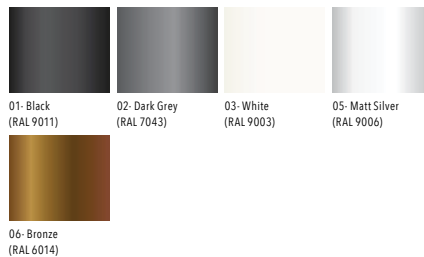
Luminaire structure

- Die-cast aluminium housing
- Pre-treated before powder coating ensuring high corrosion resistance
- One IP68 connector supplied with 2.2 m of 3x1.0 sqmm outdoor cable for HAM-20032
- Stainless steel fasteners in grade 304 with zinc flake coating (ZFC)
- Durable silicone rubber gasket
- Clear toughened glass
- Integral control gear
- Surge protection 10kV

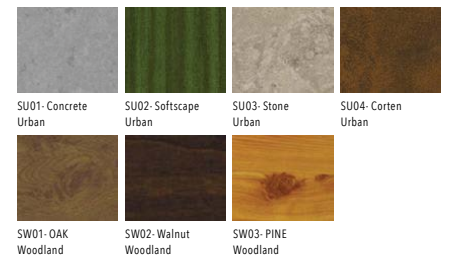
Light symbol



Product colour



Special finishes upon request



Technical information

Light source	2 x 48 LED
Light source type	LED
Dimming type	DALI, On/Off
Material	Aluminium
Weight	26.19 kg
Operating temperature	-20°C to 40°C

Luminaire	
Power	150 W
Lumen	16790 - 19724 lm
Efficacy	115 - 135 lm/W
CCT / CRI	3000K CRI80, 4000K CRI80
Drive current	500 mA
Driver option	Integral control gear
Driver	Constant current (CC)
Input voltage	220-240 V 50/60 Hz

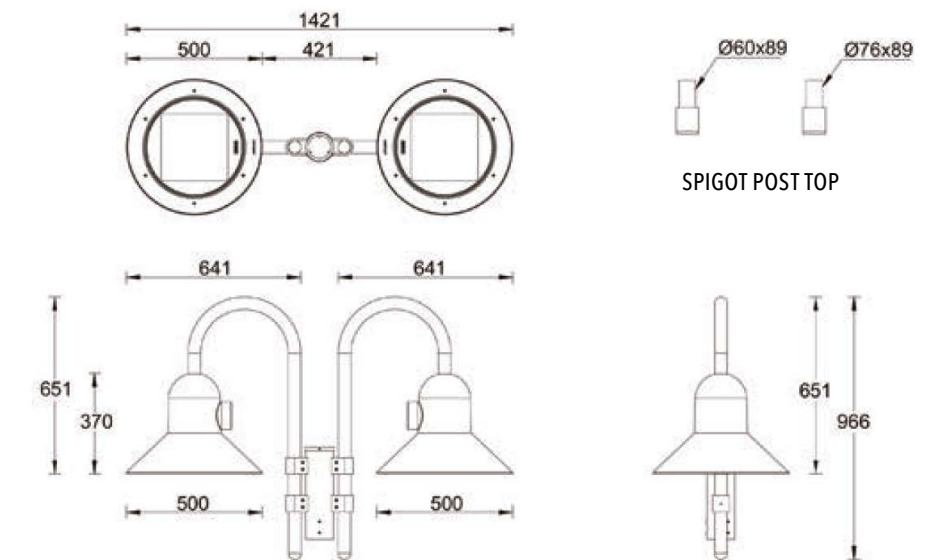
Optic	EW [110°], M [30°], ME [138°x60°], T2 [137°x54°], T3 [120°x94°], T4 [103°x70°], W [57°], LAO1 [151°x65°]
Bug	B2-U0-G0, B3-U0-G1, B1-U0-G1, B2-U0-G2, B3-U0-G0
ULR	0%
ULOR	0%
CIE flux code n°3	99, 98, 97
MacAdam Ellipse	3 SDCM
Lifetime L90B10 (hrs)	90,000
Lifetime L80B10 (hrs)	90,000
Lifetime L80B50 (hrs)	90,000

HAMILTON 4 (HAM-20032)

Product variants

HOW TO SPECIFY

MODEL	OUTPUT	DISTRIBUTION	CRI/CCT	DIMMING	COLOUR FINISH
HAM-20032	500 150W	EW	8030	ND	01 BLACK
		M	8040	DALI	02 DARK GREY
		ME			03 WHITE
		T2			05 MATT SILVER
		T3			06 BRONZE
		T4			S- SPECIAL FINISH
		W			
		LA01			



Accessories



Integrated Glare Technology
LIGA-IGT