

## Product description

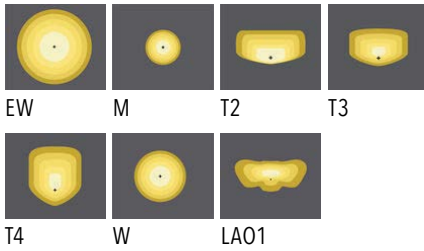
Down (Optic) & Up (Optic 2nd) - Square



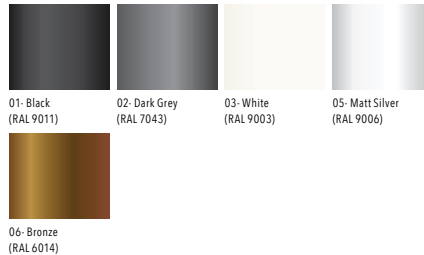
## Luminaire structure

- Die-cast aluminium housing and frame
- Pre-treated before powder coating ensuring high corrosion resistance
- Single cable entry
- Stainless steel fasteners in grade 304 with zinc flake coating (ZFC)
- Durable silicone rubber gasket
- Clear toughened glass
- Integral control gear
- Optional surface mounting box for easy wiring or conduit connection when wiring from behind is not possible

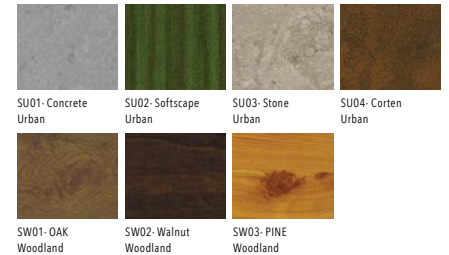
## Light symbol



## Product colour



## Special finishes upon request



## Technical information

Light source	4 & 4 LED
Light source type	LED
Dimming type	On/Off
Material	Aluminium
Weight	1.1 kg
Operating temperature	-20°C to 40°C

Luminaire	
Power	15 W
Lumen	1152 - 1590 lm
Efficacy	76 - 105 lm/W
CCT / CRI	3000K CRI80, 4000K CRI80
Drive current	500 mA
Driver option	Integral control gear
Driver	Constant current (CC)
Input voltage	220-240 V 50/60 Hz
Optic	EW [99°x102°], M [30°], T2 [129°x49°], T3 [112°x80°], T4 [89°x60°], W [56°], LA01 [151°x65°]

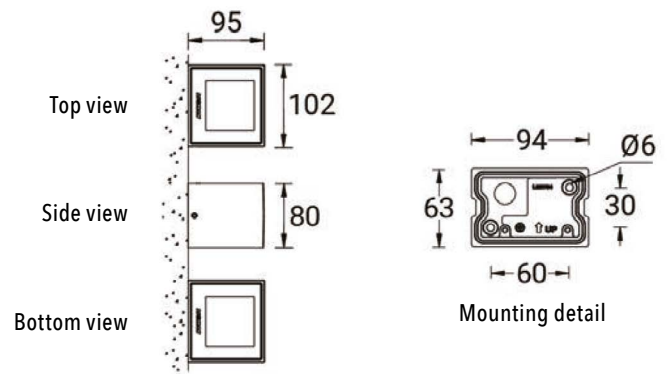
Bug	B0-U4-G0, B1-U4-G1, B1-U4-G0
ULR	50%, 46%, 47%, 53%, 52%, 54%, 49%, 45%, 44%, 43%, 55%, 6%, 56%, 57%, 51%, 48%
ULOR	50%, 46%, 47%, 53%, 52%, 54%, 49%, 45%, 44%, 43%, 55%, 6%, 56%, 57%, 51%, 48%
CIE flux code n°3	100, 99
MacAdam Ellipse	3 SDCM
Lifetime L90B10 (hrs)	90,000
Lifetime L80B10 (hrs)	90,000
Lifetime L80B50 (hrs)	90,000

LEEDS 1 (LEE-30031)

Product variants

HOW TO SPECIFY

LIGA - LEE-30031 - 500 - T2 - LA01 - 8030 - ND - 01						
MODEL	OUTPUT	DISTRIBUTION		CRI/CCT	DIMMING	COLOUR FINISH
		DOWN	UP			
LEE-30031	500 15W	EW	EW	8030	ND	01 BLACK
		M	M	8040		02 DARK GREY
		T2	T2			03 WHITE
		T3	T3			05 MATT SILVER
		T4	T4			06 BRONZE
		W	W			S - SPECIAL FINISH
		LA01	LA01			



Accessories



Surface mounting box for easy cabling (LEEDS 1)  
LIGA-SCE-LEEDS-1