

JET 42 (JE-80061)



Product description

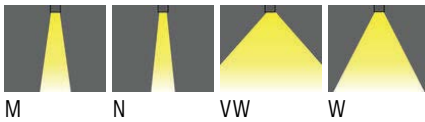
160x160 mm - 296 mm - Square



Luminaire structure

- Die-cast aluminium housing
- Pre-treated before powder coating ensuring high corrosion resistance
- Single cable entry
- Stainless steel fasteners in grade 304 with zinc flake coating (ZFC)
- Durable silicone rubber gasket
- Clear toughened glass
- Integral control gear
- Optional surface mounting box for easy wiring or conduit connection when wiring from behind is not possible

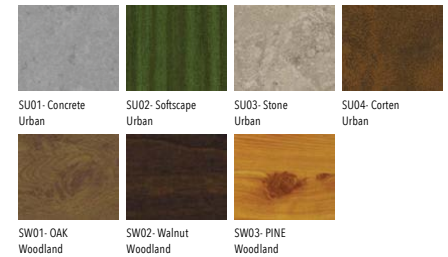
Light symbol



Product colour



Special finishes upon request



Technical information

Light source	1 COB
Light source type	COB
Dimming type	DALI, On/Off
Material	Aluminium
Weight	3.1 kg
Operating temperature	-20°C to 40°C

Luminaire	
Power	18 W, 27 W, 35 W
Lumen	1730 - 4094 lm
Efficacy	99 - 117 lm/W
CCT / CRI	3000K CRI80, 4000K CRI80
Drive current	450 mA, 675 mA, 900 mA
Driver option	Integral control gear
Driver	Constant current (CC)
Input voltage	220-240 V 50/60 Hz

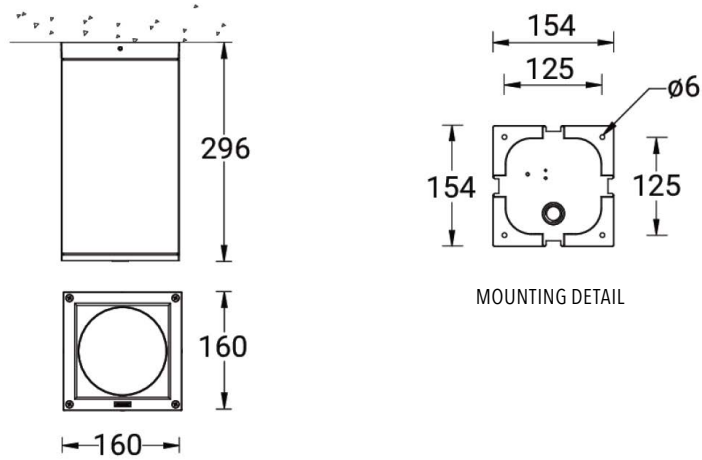
Optic	M [26°], N [16°] VW [59°], W [42°]
Bug	B3-U0-G0, B2-U0-G0
ULR	0%
ULOR	0%
CIE flux code n°3	100
MacAdam Ellipse 5	3 SDCM
Lifetime L90B10 (hrs)	50,700
Lifetime L80B10 (hrs)	63,500
Lifetime L80B50 (hrs)	63,500

JET 42 (JE-80061)

Product variants

HOW TO SPECIFY

LIGA - JE-80061 - 450 - VW - 8030 - ND - 01						
MODEL	OUTPUT	DISTRIBUTION	CRI/CCT	DIMMING	COLOUR FINISH	
JE-80061	450 18W	M	8030	ND	01 BLACK	
	675 27W	N	8040	DALI	02 DARK GREY	
	900 35W	VW			03 WHITE	
		W			05 MATT SILVER	
					06 BRONZE	
					S - SPECIAL FINISH	



Accessories



Surface mounting box
for easy cabling (JET 42)
LIGA-SCE-JET-42