



## Product description

Ø102 - 1000 mm - 2 sides - Round



microVos™  
TECHNOLOGY

## Luminaire structure

- Die-cast aluminium housing
- Extruded aluminium column
- Pre-treated before powder coating ensuring high corrosion resistance
- Single cable entry
- One IP68 connector supplied with 0.2 m of 3x1.0 sqmm outdoor cable
- Stainless steel fasteners in grade 304 with zinc flake coating (ZFC)
- Durable silicone rubber gasket
- Clear toughened glass
- Integral control gear

## Light symbol



ME T1 T2 T3



T4 W LA01

## Product colour



01- Black (RAL 9011) 02- Dark Grey (RAL 7043) 03- White (RAL 9003) 05- Matt Silver (RAL 9006)



06- Bronze (RAL 6014)

## Special finishes upon request



SU01- Concrete Urban SU02- Softscape Urban SU03- Stone Urban SU04- Corten Urban



SW01- OAK Woodland SW02- Walnut Woodland SW03- PINE Woodland

## Technical information

Light source	2 x 4 LED
Light source type	LED
Dimming type	DALI, On/Off
Material	Aluminium
Weight	7.0 kg
Operating temperature	-20°C to 40°C

Luminaire	
Power	22 W
Lumen	1894 - 2264 lm
Efficacy	86 - 103 lm/W
CCT / CRI	3000K CRI80, 4000K CRI80
Drive current	700 mA
Driver option	Integral control gear
Driver	Constant current (CC)
Input voltage	220-240 V 50/60 Hz

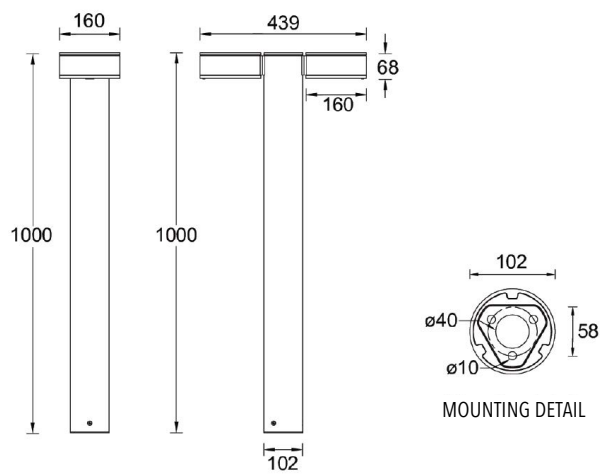
Optic	ME [138°x56°], T1 [149°x72°] T2 [137°x51°], T3 [126°x89°] T4 [103°x74°], W [94°x68°] LA01[151°x65°]
Bug	B1-U0-G0, B0-U0-G0, B1-U0-G1
ULR	0%
ULOR	0%
CIE flux code n°3	99, 97, 96, 98
MacAdam Ellipse	3 SDCM
Lifetime L90B10 (hrs)	90,000
Lifetime L80B10 (hrs)	90,000
Lifetime L80B50 (hrs)	90,000

**JET 58 (JE-10581)**

**Product variants**

**HOW TO SPECIFY**

MODEL	OUTPUT	DISTRIBUTION	CRI/CCT	DIMMING	COLOUR FINISH
JE-10581	700 22W	ME	8030	ND	01 BLACK
		T1	8040	DALI	02 DARK GREY
		T2			03 WHITE
		T3			05 MATT SILVER
		T4			06 BRONZE
		W			S - SPECIAL FINISH
		LA01			



**Accessories**



Anchor Bolt  
LIGA - A10791