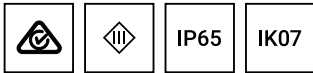


NATURE SOURCE 1 (NAT-20004)



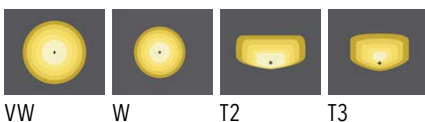
Product description

- 8 hours of operation time
(2 Step dimming with motion sensor override)
- 1 day of autonomy

Luminaire structure

- Die-cast aluminium end-caps
- Extruded aluminium housing and frame
- Pretreated before powder coating ensuring high corrosion resistance
- Thermal heat dissipation body
- Stainless steel fasteners in grade 304 with zinc flake coating (ZFC)
- Durable silicone rubber gasket
- Clear glass diffuser
- Integral control gear
- Solar module consist of monocrystalline high efficiency cells 5x15W
- Lithium Iron Phosphate (LiFePO4) battery 2x16.5Ah 12 VDC
- Solar charger controller system 12V 10A
- Luminaires operation time depends on the weather conditions
- Full automatic electronic protection function against short circuit, overcurrent, overload, overvoltage and high temperature
- Standard: Off-grid, 100% solar, not connected to the utility grid. Utility grid connection is available upon request
- Motion sensor integrated
- Different dimming options are available
- STD: 2 Step dimming with motion sensor override (3 hrs: 60% without movement, 100% for 1min when the motion sensor activated. After 3 hrs: 30% without movement, 60% for 1min when the motion sensor activated)
- ND: Dusk to Dawn, CT: Custom examples are 5 Step dimming, Custom hrs, Custom dimming levels (Step length and min. dim level is 10%)
- Maximum 8 hrs of operation time (2 Step dimming with motion sensor override)
- Remote solar charge controller can be ordered as an accessory
- Autonomy and Operation time calculations are done with the following information: Peak Sun-Hour (PSH) is 3 hrs. Hours of operation are 12 hrs per day. Detection of movement is 5 times per hr
- Autonomy and Operation time calculations are only indicative and will depend on several variable factors. Please contact Ligman Australia to determine the specific calculations for your project

Light symbol



VW W T2 T3

Product colour



01- Black (RAL 9011) 02- Dark Grey (RAL 7043) 03- White (RAL 9003) 05- Matt Silver (RAL 9006)



06- Bronze (RAL 6014)

Special finishes upon request



SU01- Concrete Urban SU02- Softscape Urban SU03- Stone Urban SU04- Corten Urban



SW01- OAK Woodland SW02- Walnut Woodland SW03- PINE Woodland

Technical information

Light source	28 LED
Light source type	LED
Dimming type	Solar Custom, Dusk to Dawn, 2 Step dimming with motion sensor override
Material	Aluminium
Weight	25.5 kg
Operating temperature	-20°C to 40°C

Luminaire	
Power	40 W
Lumen	4568 - 4889 lm
Efficacy	114 - 122 lm/W
CCT / CRI	3000K CRI80, 4000K CRI80
Driver option	Integral control gear
Driver	Constant voltage (CV)
Input voltage	Solar

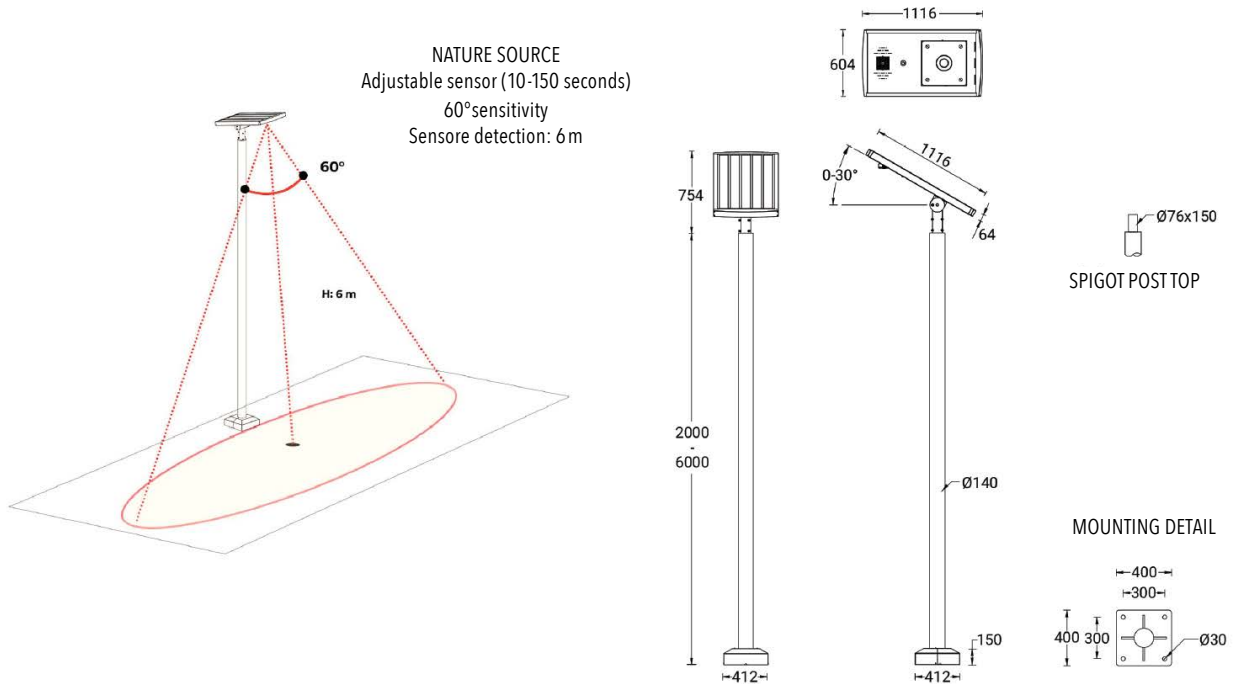
Optic	VW [114°], W [86°] T2 [28°x148°], T3 [37°x 151°]
Bug	B1-U0-G1, B2-U0-G1
ULR	0%
CIE flux code n°3	96, 94, 97, 98
MacAdam Ellipse	3 SDCM
Lifetime L90B10 (hrs)	> 90,000
Lifetime L80B10 (hrs)	> 90,000
Lifetime L80B50 (hrs)	> 90,000

NATURE SOURCE 1 (NAT-20004)

Product variants

HOW TO SPECIFY

LIGA	-	NAT-20004	-	40	-	T2	-	8030	-	ND	-	01
MODEL	OUTPUT	DISTRIBUTION	CRI/CCT	DIMMING	COLOUR FINISH							
NAT-20004	40W	VW	8030	CT	01 BLACK							
		W	8040	ND	02 DARK GREY							
		T2		STD	03 WHITE							
		T3			05 MATT SILVER							
					06 BRONZE							
					S - SPECIAL FINISH							



Accessories



Remote solar charge controller
LIGA-A92291



2 m - Cylindrical, straight galvanised steel pole for NATURE SOURCE
LIGA-SPD120140-NAT



3 m - Cylindrical, straight galvanised steel pole for NATURE SOURCE
LIGA-SPD130140-NAT



4 m - Cylindrical, straight galvanised steel pole for NATURE SOURCE
LIGA-SPD140140-NAT



5 m - Cylindrical, straight galvanised steel pole for NATURE SOURCE
LIGA-SPD150140-NAT



6 m - Cylindrical, straight galvanised steel pole for NATURE SOURCE
LIGA-SPD160140-NAT