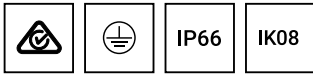


MACARON 2 (MC-20013)



Product description

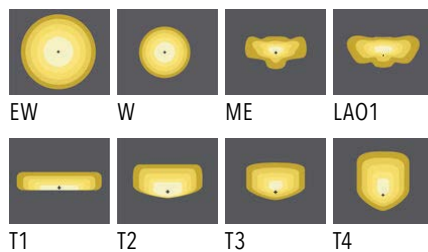
IP66



Luminaire structure

- Die-cast aluminium housing
- Pre-treated before powder coating ensuring high corrosion resistance
- Customised dimensions are available as standard upon request
- One IP68 connector supplied with 0.2 m of 3x1.0 sqmm outdoor cable
- Stainless steel fasteners in grade 304 with zinc flake coating (ZFC)
- Durable silicone rubber gasket
- High-efficiency PMMA lens
- Clear toughened glass
- Integral control gear

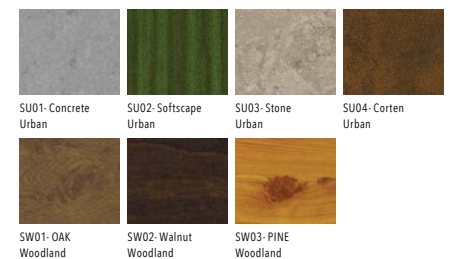
Light symbol



Product colour



Special finishes upon request



Technical information

Light source	2 x 24 LED & 4 x 4 LED
Light source type	LED
Dimming type	DALI, On/Off
Material	Aluminium
Weight	13.5 kg
Operating temperature	-20°C to 50°C

Luminaire	
Power	158 W
Lumen	14248 - 16659 lm
Efficacy	90 - 105 lm/W
CCT / CRI	3000K CRI80, 4000K CRI80
Drive current	750 mA
Driver option	Integral control gear
Driver	Constant current (CC)
Input voltage	220-240 V 50/60 Hz

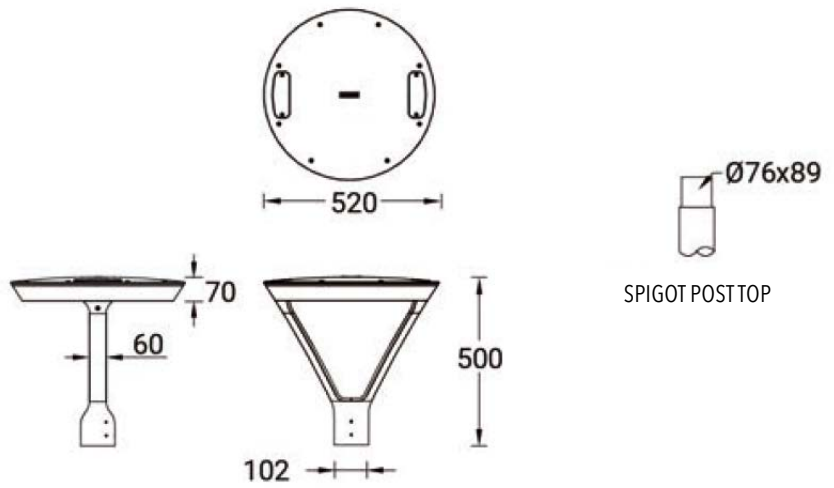
Optic	EW [105°x113°], W [51°x56°] ME [58°x136°], LAO1 [151°x65°] T1 [145°x68°], T2 [54°x137°] T3 [85°x119°], T4 [73°x101°]
Bug	B3-U0-G2, B2-U0-G2 B3-U0-G3, B4-U0-G1
ULR	0%
ULOR	0%
CIE flux code n°3	99, 97, 98

MACARON 2 (MC-20013)

Product variants

HOW TO SPECIFY

MODEL	OUTPUT	DISTRIBUTION	CRI/CCT	DIMMING	COLOUR FINISH
MC-20013	750 158W	EW	8030	ND	01 BLACK
		W	8040	DALI	02 DARK GREY
		ME			03 WHITE
		LA01			05 MATT SILVER
		T1			06 BRONZE
		T2			S - SPECIAL FINISH
		T3			
		T4			



Accessories



Integrated Glare Technology
LIGA-IGT