

**VEKTER 6 (VK-90011)**



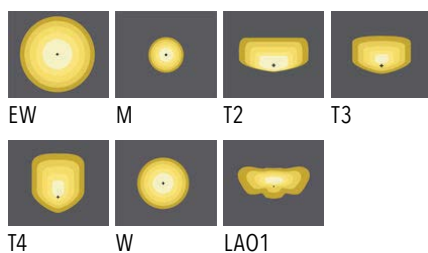
**Product description**

2 sides

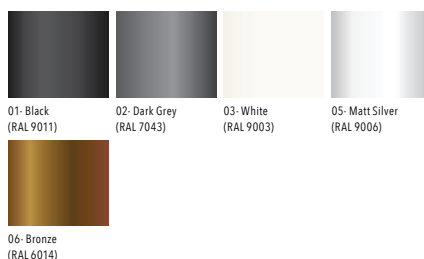
**Luminaire structure**

- Die-cast aluminium housing
- Pre-treated before powder coating ensuring high corrosion resistance
- One cable gland supplied with 0.5 m of 3x1.0 sqmm outdoor cable for VK-90011
- Stainless steel fasteners in grade 304 with zinc flake coating (ZFC)
- Durable silicone rubber gasket
- Clear toughened glass
- High-efficiency PMMA lens
- Integral control gear
- Maximum wind load resistance is 140 km/h
- Surge protection 10kV

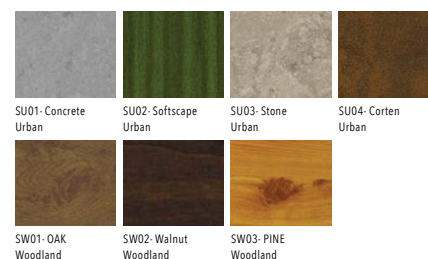
**Light symbol**



**Product colour**



**Special finishes upon request**



**Technical information**

Light source	2 X 24 LED
Light source type	LED
Dimming type	DALI, On/Off
Material	Aluminium
Weight	13.2 kg
Operating temperature	-20°C to 40°C

<b>Luminaire</b>	
Power	38 & 74 W
Lumen	4509 - 10286 lm
Efficacy	122 - 139 lm/W
CCT / CRI	3000K CRI80, 4000K CRI80
Drive current	250, 500 mA
Driver option	Integral control gear
Driver	Constant current (CC)
Input voltage	220-240 V 50/60 Hz

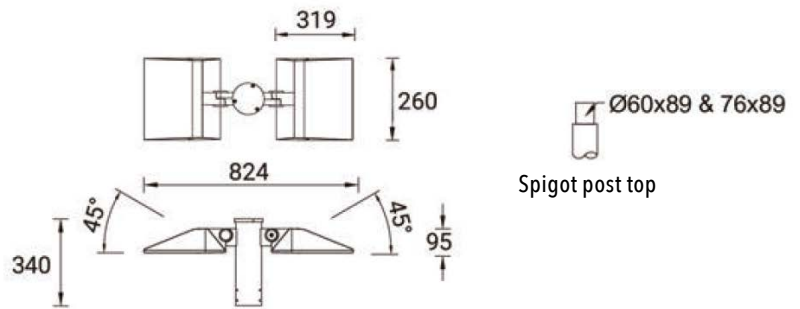
Optic	EW [117°], M [32°], T2 [140°x52°], T3 [140°x72°], T4 [97°x82°], W [52°], LA01 [151°x65°]
Bug	B2-U0-G0, B3-U0-G0, B1-U0-G1
ULOR	0%
CIE flux code n°3	99, 98, 97
MacAdam Ellipse	3 SDCM
Lifetime L90B10 (hrs)	90,000
Lifetime L80B10 (hrs)	90,000
Lifetime L80B50 (hrs)	90,000

**VEKTER 6 (VK-90011)**

**Product variants**

**HOW TO SPECIFY**

LIGA - VK-90011 - 500 - T2 - T4 - 8030 - ND - 01						
MODEL	OUTPUT	DISTRIBUTION		CRI/CCT	DIMMING	COLOUR FINISH
		OPT1	OPT2			
VK-90011	250 38W	EW	EW	8030	ND	01 BLACK
	500 74W	M	M	8040	DALI	02 DARK GREY
		T2	T2			03 WHITE
		T3	T3			05 MATT SILVER
		T4	T4			06 BRONZE
		W	W			S - SPECIAL FINISH
		LA01	LA01			



**Accessories**



Integrated Glare Technology  
LIGA-IGT