

ODESSA 11 (OD-50132)



Product description

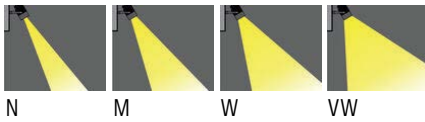
Large



Luminaire structure

- Die-cast aluminium housing
- Pre-treated before powder coating ensuring high corrosion resistance
- Single cable entry, through wiring upon request
- One IP68 connector supplied with 0.2 m of 3x1.0 sqmm outdoor cable for OD-50132
- Stainless steel fasteners in grade 304 with zinc flake coating (ZFC)
- Durable silicone rubber gasket
- High-efficiency optical reflector
- Clear toughened glass
- Integral control gear
- Arm mounting installation

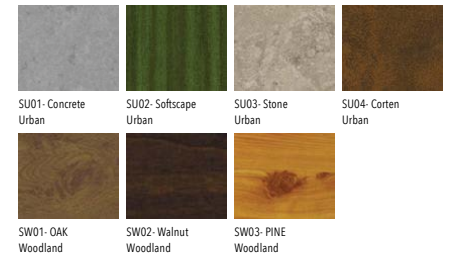
Light symbol



Product colour



Special finishes upon request



Technical information

Light source	1 COB
Light source type	COB
Dimming type	DALI, On/Off
Material	Aluminium
Weight	5.5 kg
Operating temperature	-20°C to 40°C

Luminaire	
Power	54 W
Lumen	5187 - 6024 lm
Efficacy	96 - 112 lm/W
CCT / CRI	3000K CRI80, 4000K CRI80
Drive current	700 mA
Driver option	Integral control gear
Driver	Constant current (CC)
Input voltage	220-240 V 50/60 Hz

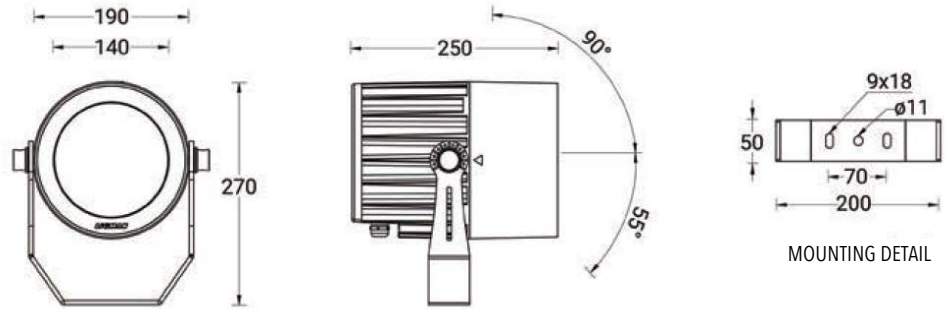
Optic	N [21°], M [33°], W [48°] VW [70°]
MacAdam Ellipse	3 SDCM
Lifetime L90B10 (hrs)	61,000

ODESSA 11 (OD-50132)

Product variants

HOW TO SPECIFY

LIGA	-	OD-50132	-	700	-	M	-	8030	-	ND	-	01
MODEL	OUTPUT	DISTRIBUTION	CRI/CCT	DIMMING	COLOUR FINISH							
OD-50132	700 54W	N	8030	ND	01 BLACK							
		M	8040	DALI	02 DARK GREY							
		W			03 WHITE							
		WW			05 MATT SILVER							
					06 BRONZE							
					S - SPECIAL FINISH							



Accessories



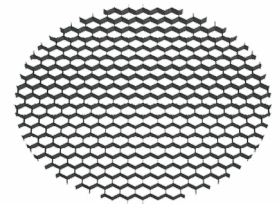
Anti-glare visor
LIGA-A54331



Anti-glare louvre
LIGA-A54531



Linear spread lens
LIGA-A51814



Honeycomb louvre
LIGA-A54121