



Product description

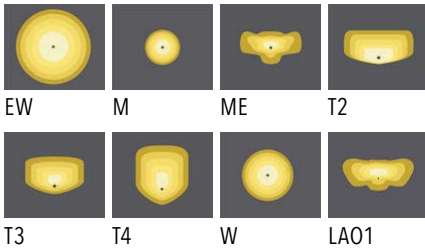
Ø102 - 1000 mm - 1 side - Round



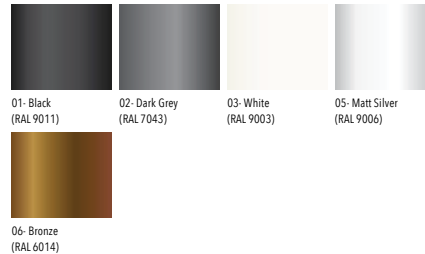
Luminaire structure

- Die-cast aluminium housing
- Extruded aluminium column
- Pre-treated before powder coating ensuring high corrosion resistance
- Single cable entry
- One IP68 connector supplied with 0.2 m of 3x1.0 sqmm outdoor cable
- Stainless steel fasteners in grade 304 with zinc flake coating (ZFC)
- Durable silicone rubber gasket
- Clear toughened glass
- Integral control gear

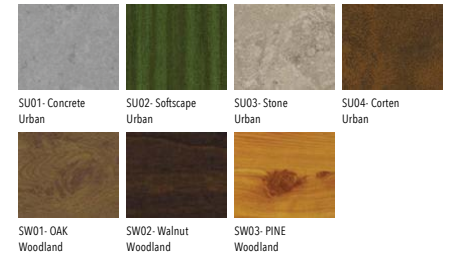
Light symbol



Product colour



Special finishes upon request



Technical information

Light source	2 x 4 LED
Light source type	LED
Dimming type	DALI, On/Off
Material	Aluminium
Weight	5.5 kg
Operating temperature	-20°C to 40°C

Luminaire	
Power	19 W
Lumen	1722 - 2135 lm
Efficacy	91 - 112 lm/W
CCT / CRI	3000K CRI80, 4000K CRI80
Drive current	700 mA
Driver option	Integral control gear
Driver	Constant current (CC)
Input voltage	220-240 V 50/60 Hz

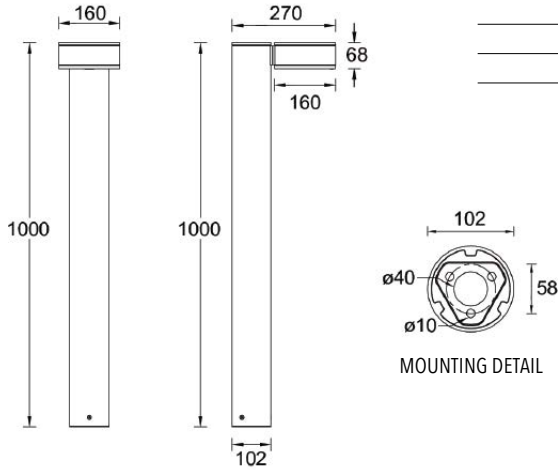
Optic	EW [114°x109°], M [30°], ME [133°x54°] T1 [145°x68°], T2 [131°x44°] T3 [124°x61°], T4 [94°x68°] W [55°], LAO1 [151°x65°]
Bug	B1-U0-G0, B0-U0-G0, B1-U0-G1
ULR	0%
ULOR	0%
CIE flux code n°3	99, 97, 98
MacAdam Ellipse	3 SDCM
Lifetime L90B10 (hrs)	90,000
Lifetime L80B10 (hrs)	90,000
Lifetime L80B50 (hrs)	90,000

JET 57 (JE-10572)

Product variants

HOW TO SPECIFY

LIGA	JE-10572	700	LA01	8030	ND	01
MODEL	OUTPUT	DISTRIBUTION	CRI/CCT	DIMMING	COLOUR FINISH	
JE-10572	700 19W	EW	8030	ND	01 BLACK	
		M	8040	DALI	02 DARK GREY	
		ME			03 WHITE	
		T1			05 MATT SILVER	
		T2			06 BRONZE	
		T3			S - SPECIAL FINISH	
		T4				
		W				
		LA01				



Maximum pathway spacing in metres

LUMINAIRE MH 1MTR	AS/NZS 1158.3.1:2020 CATEGORY	PATHWAY WIDTH	
		2 MTR	3 MTR
LIGA - JE-10572 - 700	PP4 PATHWAY	11	10
UWLR 0%	PP5 PATHWAY	13.2	10.7

Footnote D.

- PP4 2 MTR - 50% of Point horizontal illuminance is achieved over an area of 1.5m on the pole side and 0.5m on far side.
- PP4 3 MTR - 50% of Point horizontal illuminance is achieved over an area of 2.2m on the pole side and 0.25m on far side.
- PP5 2 MTR - 50% of Point horizontal illuminance is achieved over an area of 0.65m on the pole side and is NOT achieved on far side.
- PP5 3 MTR - 50% of Point horizontal illuminance is achieved over an area of 2.3m on the pole side and 0.15m on far side.

Accessories



Anchor Bolt
LIGA - A10791