

RADO 4 (RA-40562)



Product description

With recessing box



Luminaire structure

- Die-cast aluminium housing
- Pre-treated before powder coating ensuring high corrosion resistance
- Two cable entries for through wiring
- Stainless steel fasteners in grade 304 with zinc flake coating (ZFC)
- Durable silicone rubber gasket
- Clear toughened glass
- Integral control gear

Light symbol

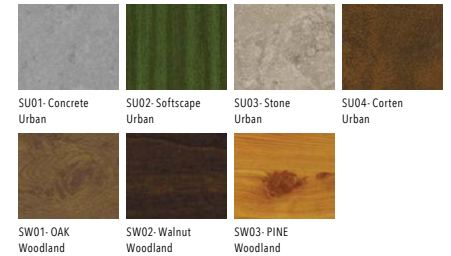


G

Product colour



Special finishes upon request



Technical information

Light source	4 x 12 LED
Light source type	LED
Dimming type	DALI, On/Off
Material	Aluminium
Weight	4.0 kg
Operating temperature	-20°C to 40°C

Luminaire	
Power	27 W
Lumen	768 - 853 lm
Efficacy	45 - 50 lm/W
CCT / CRI	3000K CRI80, 4000K CRI80
Drive current	500 mA
Driver option	Integral control gear
Driver	Constant current (CC)
Input voltage	220-240 V 50/60 Hz

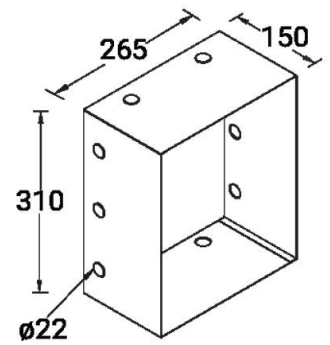
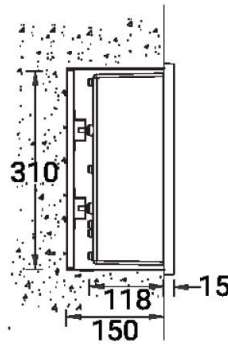
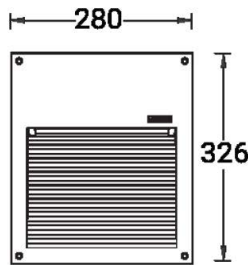
Optic	G [50°x75°]
Bug	B0-U1-G1
ULR	1%
ULOR	1%
CIE flux code n°3	83
MacAdam Ellipse	3 SDCM
Lifetime L90B10 (hrs)	23,000
Lifetime L80B10 (hrs)	45,000
Lifetime L80B50 (hrs)	49,000

RADO 4 (RA-40562)

Product variants

HOW TO SPECIFY

LIGA	-	RA-40562	-	500	-	G	-	8030	-	ND	-	01
		MODEL		OUTPUT		DISTRIBUTION		CRI/CCT		DIMMING		COLOUR FINISH
		RA-40562		500 27W		G		8030		ND		01 BLACK
								8040		DALI		02 DARK GREY
												03 WHITE
												05 MATT SILVER
												06 BRONZE
												S - SPECIAL FINISH



RECESSING BOX