

MARVIK 3 (MV-30022)



Product description

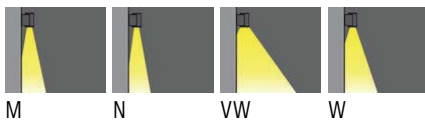
Ø150 - 240 mm - Down



Luminaire structure

- Die-cast aluminium housing and frame
- Pre-treated before powder coating ensuring high corrosion resistance
- Single cable entry
- Stainless steel fasteners in grade 304 with zinc flake coating (ZFC)
- Durable silicone rubber gasket
- High-efficiency optical reflector
- Clear toughened glass
- Integral control gear
- Optional surface mounting box for easy wiring or conduit connection when wiring from behind is not possible

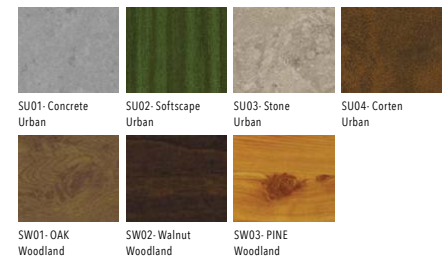
Light symbol



Product colour



Special finishes upon request



Technical information

Light source	1 COB
Light source type	COB
Dimming type	DALI, On/Off
Material	Aluminium
Weight	4.5 kg
Operating temperature	-20°C to 40°C

Luminaire	
Power	47 W
Lumen	4661 - 5510 lm
Efficacy	99 - 117 lm/W
CCT / CRI	3000K CRI80, 4000K CRI80
Drive current	1200 mA
Driver option	Integral control gear
Driver	Constant current (CC)
Input voltage	220-240 V 50/60 Hz

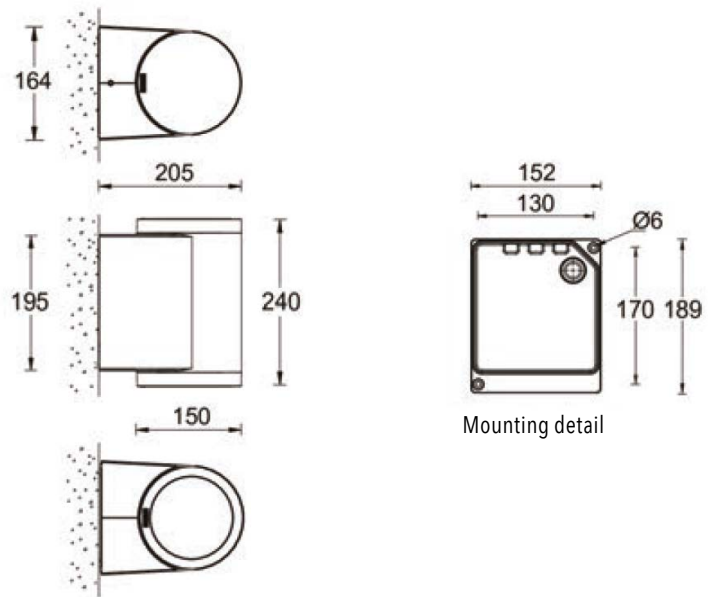
Optic	M [28°], N [16°], VW [68°], W [46°]
Bug	B3-U0-G0, B3-U0-G1
ULR	0%
ULOR	0%
CIE flux code n°3	100, 99
MacAdam Ellipse	3 SDCM
Lifetime L90B10 (hrs)	50,700
Lifetime L80B10 (hrs)	63,500
Lifetime L80B50 (hrs)	63,500

MARVIK 3 (MV-30022)

Product variants

HOW TO SPECIFY

LIGA	-	MV-30022	-	1200	-	W	-	8030	-	ND	-	01
MODEL	OUTPUT	DISTRIBUTION	CRI/CCT	DIMMING	COLOUR FINISH							
MV-30022	1200 47W	M	8030	ND	01 BLACK							
		N	8040	DALI	02 DARK GREY							
		VW			03 WHITE							
		W			05 MATT SILVER							
					06 BRONZE							
					S - SPECIAL FINISH							



Accessories



Surface mounting box for easy cabling (MARVIK 3)
LIGA-SCE-MARVIK-3