

VEKTER 5 (VK-90001)



Product description

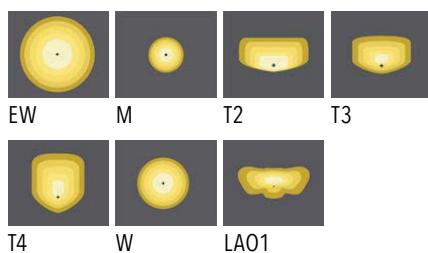
1 side



Luminaire structure

- Die-cast aluminium housing
- Pre-treated before powder coating ensuring high corrosion resistance
- One cable gland supplied with 0.5 m of 3x1.0 sqmm outdoor cable for VK-90001
- Stainless steel fasteners in grade 304 with zinc flake coating (ZFC)
- Durable silicone rubber gasket
- Clear toughened glass
- High-efficiency PMMA lens
- Integral control gear
- Maximum wind load resistance is 140 km/h
- Surge protection 10kV

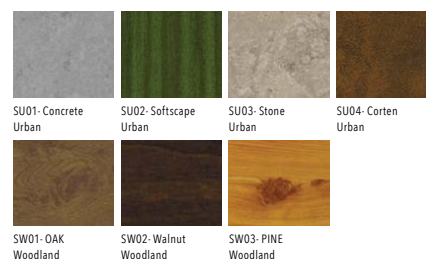
Light symbol



Product colour



Special finishes upon request



Technical information

Light source	24 LED
Light source type	LED
Dimming type	DALI, On/Off
Material	Aluminium
Weight	7.6 kg
Operating temperature	-20°C to 40°C

Luminaire	
Power	19 & 37 W
Lumen	2255 - 5143 lm
Efficacy	122 - 139 lm/W
CCT / CRI	3000K CRI80, 4000K CRI80
Drive current	250, 500 mA
Driver option	Integral control gear
Driver	Constant current (CC)
Input voltage	220-240 V 50/60 Hz

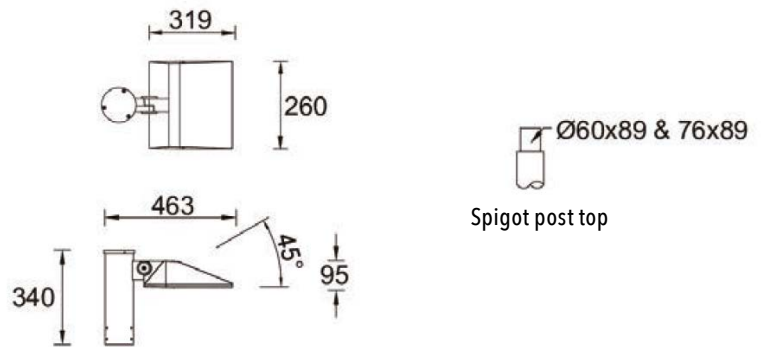
Optic	EW [117°], M [32°], T2 [140°x52°], T3 [140°x72°], T4 [97°x82°], W [52°], LA01 [151°x65°]
Bug	B2-U0-G0, B3-U0-G0, B1-U0-G1
ULOR	0%
CIE flux code n°3	99, 98, 97
MacAdam Ellipse	3 SDCM
Lifetime L90B10 (hrs)	90,000
Lifetime L80B10 (hrs)	90,000
Lifetime L80B50 (hrs)	90,000

VEKTER 5 (VK-90001)

Product variants

HOW TO SPECIFY

LIGA	-	VK-90001	-	500	-	T2	-	8030	-	ND	-	01
		MODEL		OUTPUT		DISTRIBUTION		CRI/CCT		DIMMING		COLOUR FINISH
		VK-90001		250 19W		EW		8030		ND		01 BLACK
				500 37W		M		8040		DALI		02 DARK GREY
						T2						03 WHITE
						T3						05 MATT SILVER
						T4						06 BRONZE
						W						S - SPECIAL FINISH
						LA01						



Maximum pathway spacing in metres

LUMINAIRE	AS/NZS 1158.3.1:2020	PATHWAY WIDTH			
		2.0 m		3.0 m	
		MH 4.0m	MH 5.0m	MH 4.0m	MH 5.0m
LIGA-VK-90001-500-LA01-8030	PP1 LIGHT CAT	16.3	19.9	16.3	19.8
	PP2 LIGHT CAT	19.6	24.6	19.5	24.5
	PP3 LIGHT CAT	24.8	30.1	24.7	30.1
	PP4 LIGHT CAT	27.6	34.4	27.5	34.3
	PP5 LIGHT CAT	34.5	39.9	34.3	39.8

MAINTENANCE FACTOR - 0.8. OFFSET FROM PATH EDGE - 0.5m. Spacing table to be used as a guide. Figures are based on parameters set out in AS/NZS 1158.3.1:2020 - Table 3.4.

Accessories



Integrated Glare Technology
LIGA-IGT