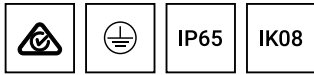


**LIGHT LINEAR PT 5 (LI-21181)**



**Product description**

2 sides - Supplied with specific square, straight aluminium pole - Height options: 3,4,5,6 m



**Luminaire structure**

- Die-cast aluminium housing
- Extruded aluminium column
- Pre-treated before powder coating ensuring high corrosion resistance
- Stainless steel fasteners in grade 304 with zinc flake coating (ZFC)
- Durable silicone rubber gasket
- Clear toughened glass
- Integral control gear
- Maximum wind load resistance is 100 km/h
- Surge protection 10kV

**Light symbol**



T2      T3      T4      LA01

**Product colour**



01- Black (RAL 9011)      02- Dark Grey (RAL 7043)      03- White (RAL 9003)      05- Matt Silver (RAL 9006)



06- Bronze (RAL 6014)

**Special finishes upon request**



SU01- Concrete Urban      SU02- Softscape Urban      SU03- Stone Urban      SU04- Corten Urban



SW01- OAK Woodland      SW02- Walnut Woodland      SW03- PINE Woodland

**Technical information**

Light source	2 x 24 LED
Light source type	LED
Dimming type	DALI, On/Off
Material	Aluminium
Weight	36.8 kg
Operating temperature	-20°C to 50°C

<b>Luminaire</b>	
Power	54 & 107 W
Lumen	5501 - 12386 lm
Efficacy	103 - 116 lm/W
CCT / CRI	3000K CRI80, 4000K CRI80
Drive current	350, 700 mA
Driver option	Integral control gear
Driver	Constant current (CC)
Input voltage	220-240 V 50/60 Hz

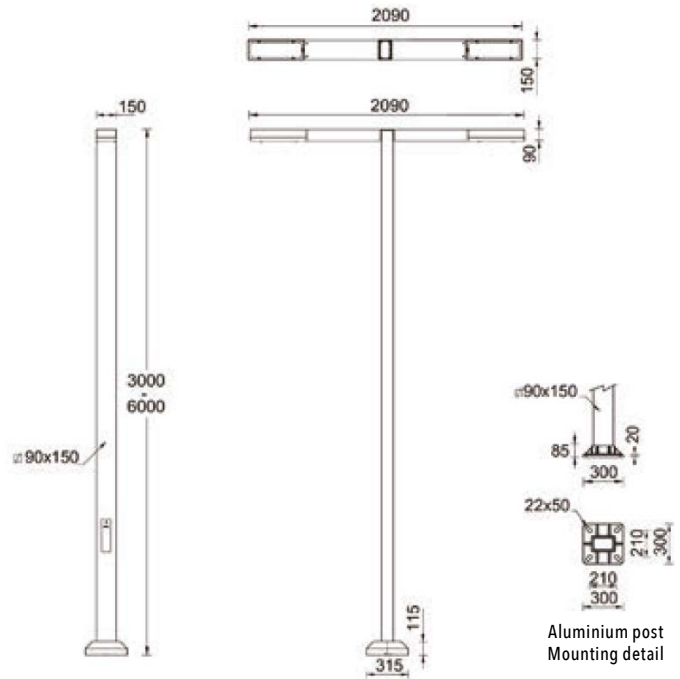
Optic	T2 [140°x47°], T3 [134°x68°], T4 [92°x78°], LA01 [151°x65°]
Bug	B1-U0-G1
ULR	0%
ULOR	0%
CIE flux code n°3	98
MacAdam Ellipse	3 SDCM
Lifetime L90B10 (hrs)	90,000
Lifetime L80B10 (hrs)	90,000
Lifetime L80B50 (hrs)	90,000

**LIGHT LINEAR PT 5 (LI-21181)**

**Product variants**

**HOW TO SPECIFY**

MODEL	OUTPUT	DISTRIBUTION	CRI/CCT	DIMMING	COLOUR FINISH
LI-21181	350 54W	T2	8030	ND	01 BLACK
	700 107W	T3	8040	DALI	02 DARK GREY
		T4			03 WHITE
		LA01			05 MATT SILVER
					06 BRONZE
					S - SPECIAL FINISH



**Accessories**



3 m - Square, straight aluminium pole for LIGHT LINEAR PT - 2 sides  
LIGA- APC230090-PT5-LI-21181



4 m - Square, straight aluminium pole for LIGHT LINEAR PT - 2 sides  
LIGA- APC240090-PT5-LI-21181



5 m - Square, straight aluminium pole for LIGHT LINEAR PT - 2 sides  
LIGA- APC250090-PT5-LI-21181



6 m - Square, straight aluminium pole for LIGHT LINEAR PT - 2 sides  
LIGA- APC260090-PT5-LI-21181



Internal cable support for pole 3 m  
LIGA-A23991



Internal cable support for pole 4 m  
LIGA-A24091



Internal cable support for pole 5 m  
LIGA-A24191



Internal cable support for pole 6 m  
LIGA-A24291