

HAMILTON 1 (HAM-20001)



Product description

1 side



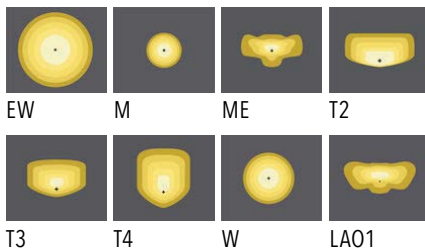
Luminaire structure

- Die-cast aluminium housing
- Pre-treated before powder coating ensuring high corrosion resistance
- One IP68 connector supplied with 0.5 m of 3x1.0 sqmm outdoor cable for HAM-20001

- Stainless steel fasteners in grade 304 with zinc flake coating (ZFC)
- Durable silicone rubber gasket
- Clear toughened glass

- Integral control gear
- Surge protection 10kV

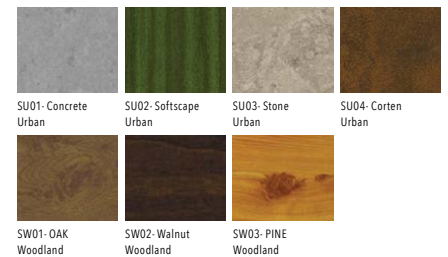
Light symbol



Product colour



Special finishes upon request



Technical information

Light source	24 LED
Light source type	LED
Dimming type	DALI, On/Off
Material	Aluminium
Weight	14.85 kg
Operating temperature	-20°C to 40°C

Luminaire	
Power	27 & 53 W
Lumen	3063 - 7027 lm
Efficacy	116 - 133 lm/W
CCT / CRI	3000K CRI80, 4000K CRI80
Drive current	350, 700 mA
Driver option	Integral control gear
Driver	Constant current (CC)
Input voltage	220-240 V 50/60 Hz

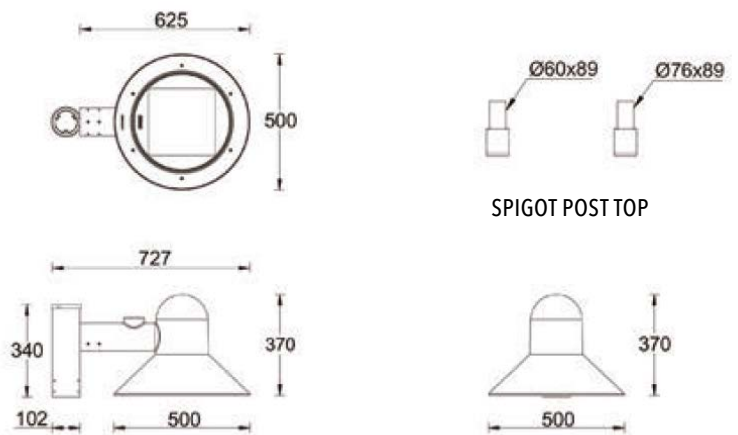
Optic	EW [110°], M [30°], ME [138°x60°], T2 [137°x54°], T3 [120°x94°], T4 [103°x70°], W [57°], LAO1 [151°x65°]
Bug	B2-U0-G0, B3-U0-G1, B1-U0-G1, B2-U0-G2, B3-U0-G0
ULR	0%
ULOR	0%
CIE flux code n°3	99, 97, 98
MacAdam Ellipse	3 SDCM
Lifetime L90B10 (hrs)	90,000
Lifetime L80B10 (hrs)	90,000
Lifetime L80B50 (hrs)	90,000

HAMILTON 1 (HAM-20001)

Product variants

HOW TO SPECIFY

LIGA	-	HAM-20001	-	700	-	T2	-	8030	-	ND	-	01
MODEL	OUTPUT	DISTRIBUTION	CRI/CCT	DIMMING	COLOUR FINISH							
HAM-20001	350 27W	EW	8030	ND	01 BLACK							
	700 53W	M	8040	DALI	02 DARK GREY							
		ME			03 WHITE							
		T2			05 MATT SILVER							
		T3			06 BRONZE							
		T4			S - SPECIAL FINISH							
		W										
		LA01										



Maximum pathway spacing in metres

LUMINAIRE	AS/NZS 1158.3.1:2020	PATHWAY WIDTH			
		2.0 m		3.0 m	
		MH 4.0m	MH 5.0m	MH 4.0m	MH 5.0m
	PP1 LIGHT CAT	13.1	17	13	17
	PP2 LIGHT CAT	14	19	14	19
LIGA-HAM-20001-700-T2-8030	PP3 LIGHT CAT	17.8	21.4	17.4	21.3
	PP4 LIGHT CAT	20.3	24.6	19.8	24.5
	PP5 LIGHT CAT	24.3	29.8	29.1	29.7

MAINTENANCE FACTOR - 0.8. OFFSET FROM PATH EDGE - 0.5m. Spacing table to be used as a guide. Figures are based on parameters set out in AS/NZS 1158.3.1:2020 - Table 3.4

Accessories



Integrated Glare Technology
LIGA-IGT