



## Product description

Ø102 - 1000 mm - 2 sides - Round

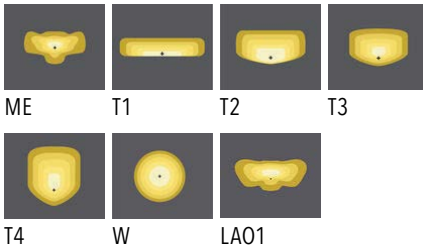


microVos™  
TECHNOLOGY

## Luminaire structure

- Die-cast aluminium housing
- Extruded aluminium column
- Pre-treated before powder coating ensuring high corrosion resistance
- Single cable entry
- One IP68 connector supplied with 0.2 m of 3x1.0 sqmm outdoor cable
- Stainless steel fasteners in grade 304 with zinc flake coating (ZFC)
- Durable silicone rubber gasket
- Clear toughened glass
- Integral control gear

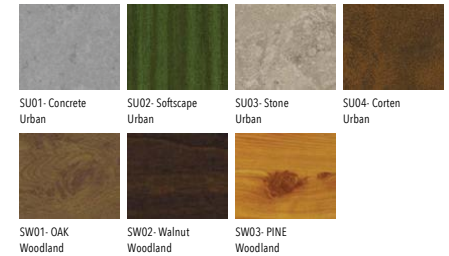
## Light symbol



## Product colour



## Special finishes upon request



## Technical information

Light source	2 x 4 LED
Light source type	LED
Dimming type	DALI, On/Off
Material	Aluminium
Weight	7.1 kg
Operating temperature	-20°C to 4°C

Luminaire	
Power	38 W
Lumen	3444 - 4270 lm
Efficacy	91 - 112 lm/W
CCT / CRI	3000K CRI80, 4000K CRI80
Drive current	700 mA
Driver option	Integral control gear
Driver	Constant current (CC)
Input voltage	220-240 V 50/60 Hz

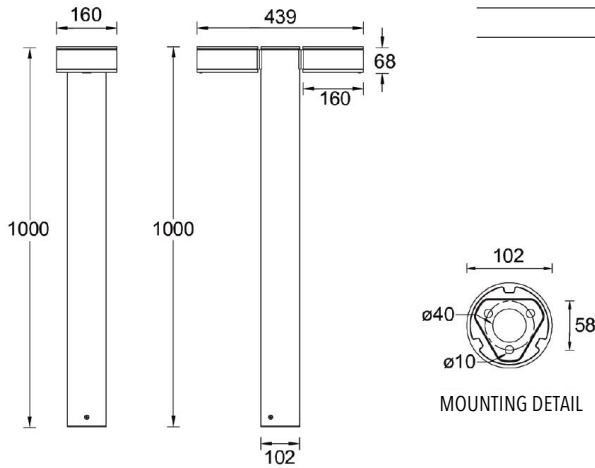
Optic	ME [133°x54°], T1 [149°x72°] T2 [137°x51°], T3 [126°x89°] T4 [103°x74°], W [55°] LA01 [151°x65°]
Bug	B1-U0-G0, B0-U0-G0, B1-U0-G1
ULR	0%
ULOR	0%
CIE flux code n°3	99, 98, 97
MacAdam Ellipse	3 SDCM
Lifetime L90B10 (hrs)	90,000
Lifetime L80B10 (hrs)	90,000
Lifetime L80B50 (hrs)	90,000

**JET 58 (JE-10582)**

**Product variants**

**HOW TO SPECIFY**

MODEL	OUTPUT	DISTRIBUTION	CRI/CCT	DIMMING	COLOUR FINISH
JE-10582	700 38W	ME	8030	ND	01 BLACK
		T1	8040	DALI	02 DARK GREY
		T2			03 WHITE
		T3			05 MATT SILVER
		T4			06 BRONZE
		W			S - SPECIAL FINISH
		LA01			



**Maximum pathway spacing in metres**

LUMINAIRE MH 1MTR	AS/NZS 1158.3.1:2020 CATEGORY	PATHWAY WIDTH	
		2 MTR	3 MTR
LIGA-JE-10582-700-T2	PP4 PATHWAY	11	10
UWLR 0%	PP5 PATHWAY	13.2	10.7

**Footnote d)**

- PP4 2 MTR - 50% of Point horizontal illuminance is achieved over an area of 1.5m on the pole side and 0.5m on far side.
- PP4 3 MTR - 50% of Point horizontal illuminance is achieved over an area of 2.2m on the pole side and 0.25m on far side.
- PP5 2 MTR - 50% of Point horizontal illuminance is achieved over an area of 0.65m on the pole side and is NOT achieved on far side.
- PP5 3 MTR - 50% of Point horizontal illuminance is achieved over an area of 2.3m on the pole side and 0.15m on far side.

**Accessories**



Anchor Bolt  
LIGA - A10791