

**VANCOUVER 40 (VA-10161)**



**Product description**

240x240 mm - 1000 mm - No decorative pattern



**Luminaire structure**

- Die-cast aluminium housing and frame
- Extruded aluminium column
- Pre-treated before powder coating ensuring high corrosion resistance
- Single cable entry
- One IP68 connector supplied with 0.2 m of 3x1.0 sqmm outdoor cable
- Stainless steel fasteners in grade 304 with zinc flake coating (ZFC)
- Durable silicone rubber gasket
- High-efficiency optical reflector
- Clear toughened glass
- Integral control gear

**Light symbol**

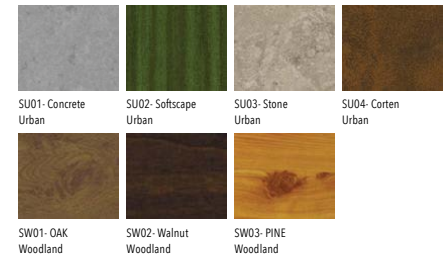


G

**Product colour**



**Special finishes upon request**



**Technical information**

Light source	1 COB
Light source type	COB
Dimming type	DALI, On/Off
Material	Aluminium
Weight	14 kg
Operating temperature	-20°C to 40°C

<b>Luminaire</b>	
Power	21 W
Lumen	600 - 635 lm
Efficacy	29 - 30 lm/W
CCT / CRI	3000K CRI80, 4000K CRI80
Drive current	500 mA
Driver option	Integral control gear
Driver	Constant current (CC)
Input voltage	220-240 V 50/60 Hz

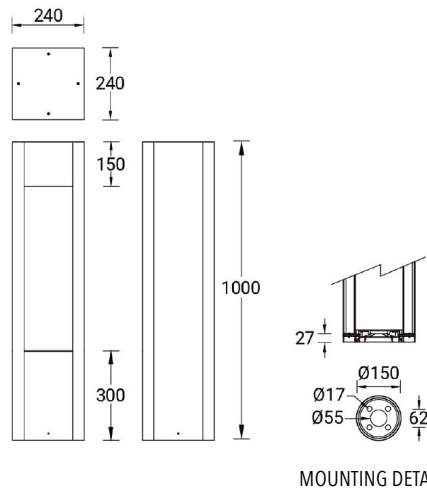
Optic	G [76°]
Bug	B1-U0-G0
ULR	0%
ULOR	0%
CIE flux code n°3	99
MacAdam Ellipse	3 SDCM
Lifetime L90B10 (hrs)	61,000

VANCOUVER 40 (VA-10161)

Product variants

HOW TO SPECIFY

LIGA - VA-10161 - 500 - G - 8030 - ND - 01						
MODEL	OUTPUT	DISTRIBUTION	CRI/CCT	DIMMING	COLOUR FINISH	
VA-10161	500 21W	G	8030	ND	01 BLACK	
			8040	DALI	02 DARK GREY	
					03 WHITE	
					05 MATT SILVER	
					06 BRONZE	
					S - SPECIAL FINISH	



Accessories



Anchor Bolt  
LIGA - A10291